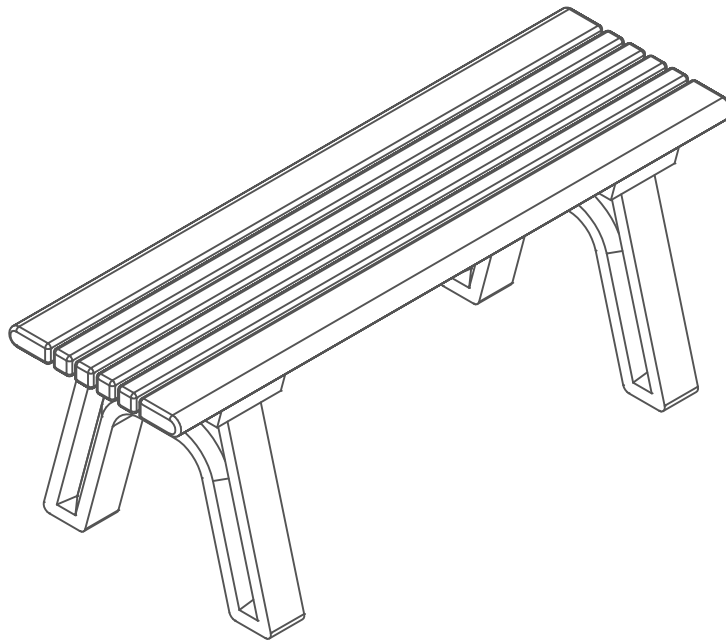


4 Foot Cambridge Flat Park Bench

For Fastener Pack
(FP-CB4F-CU-01)

WARNING: FOLLOW ASSEMBLY INSTRUCTIONS CLOSELY. DAMAGES DUE TO IMPROPER ASSEMBLY WILL NOT BE COVERED UNDER WARRANTY



Congratulations !!

You have just purchased the finest recycled plastic
park bench available. Enjoy !!!

Before assembly, please make sure all components are included.

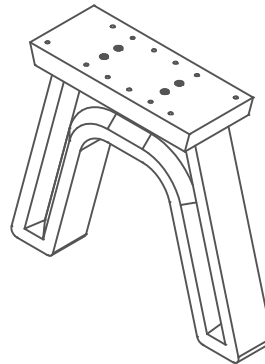
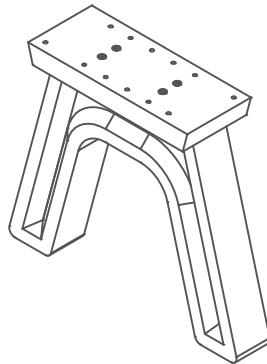


(1) - One Fastener Pack
FP-CB4F-CU-01

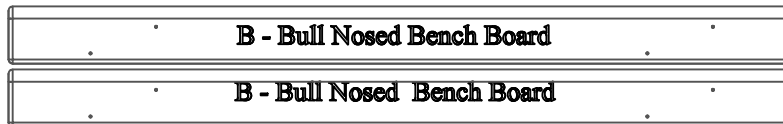
FP - Fastener Pack

C - Bench End

C - Bench End



(2) - Two Bench Ends
BSA-FME-C-01



(2) - Two Bull Nosed Bench Boards
BP-CB4F-B-01



(4) - Four Center Bench Boards
BP-CB4F-A-01

Before assembly, please make sure all fasteners are included.

24 #12 x 2 1/2" Flat Head Phillips Screw



Also needed for this assembly will be the following materials:

1 - #3 Phillips Drive Bit

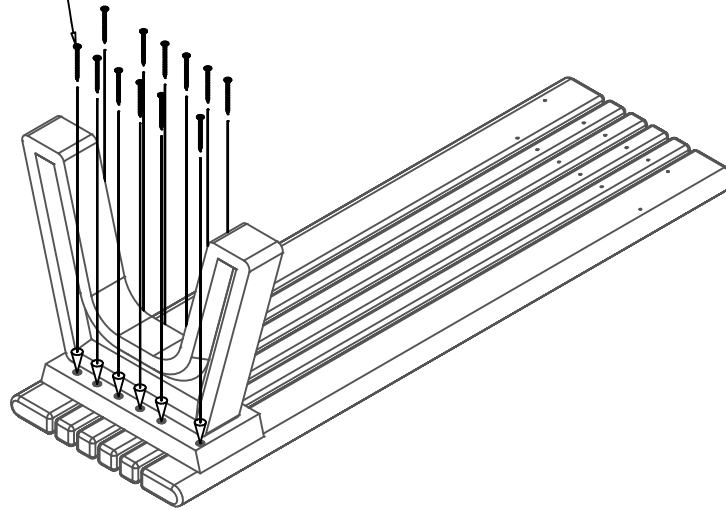
IMPORTANT NOTICE:

- DO NOT OVER-TIGHTEN SCREWS.
- USE A DRILL WITH ADJUSTABLE TORQUE FOR BEST RESULTS.
- OVER-TIGHTENING WILL RESULT IN STRIPPING OUT THE PILOT HOLE, AND SCREW WILL "SINK" INTO THE PLASTIC WHICH MAY CAUSE A STRESS FRACTURE.

Step #1:

Place the Center Bench Boards on a level surface with the pilot holes facing up. On each side of the Center Bench Boards place (1) One Side Bench Board with the pilot holes closest to the Center Bench Boards and facing up.

#12 x 2 1/2" Flat Head
Phillips Screw

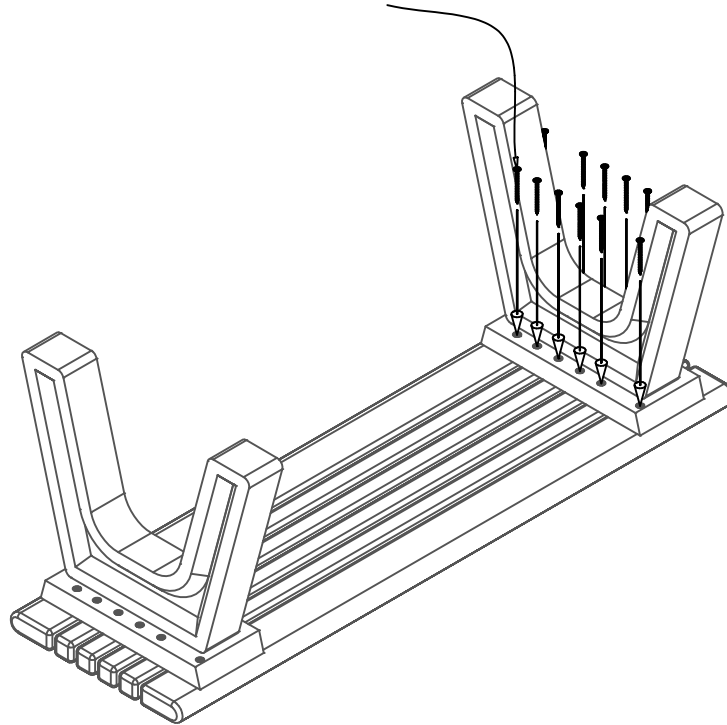


Step #2:

Place (1) One Bench End in position as shown above being sure to align the pre-drilled holes to the pilot holes in the bench boards. After the holes are properly aligned, fasten with (1) One #12 x 2 1/2" Flat Head Phillips Screw per hole to secure.

Note: Do not tighten screw completely. This will be done in a later step.

#12 x 2 1/2" Flat Head
Phillips Screw



Step #3:

Place the last Bench End in position as shown above being sure to align the pre-drilled holes to the pilot holes in the bench boards. After the holes are properly aligned, fasten with (1) One #12 x 2 1/2" Flat Head Phillips Screw per hole to secure.

Note: Be sure to tighten all screws completely after this step.

DEAR VALUED CUSTOMER,

THANK YOU FOR PURCHASING THIS PRODUCT. THIS PRODUCT IS MANUFACTURED USING RECYCLED MATERIALS AND MAY HAVE SLIGHT COLOR VARIATIONS, OCCASIONAL SPECKS OF COLOR OR IRREGULAR SURFACE PATTERNS. THESE ARE NORMAL CONDITIONS OF RECYCLED PLASTICS AND MAKE EACH PIECE OF FURNITURE UNIQUE. THESE CHARACTERISTICS DO NOT AFFECT THE STRENGTH, QUALITY OR PERFORMANCE OF THE PRODUCT.

THANK YOU AGAIN FOR PURCHASING THIS PRODUCT AND HELPING OUR ENVIRONMENT.