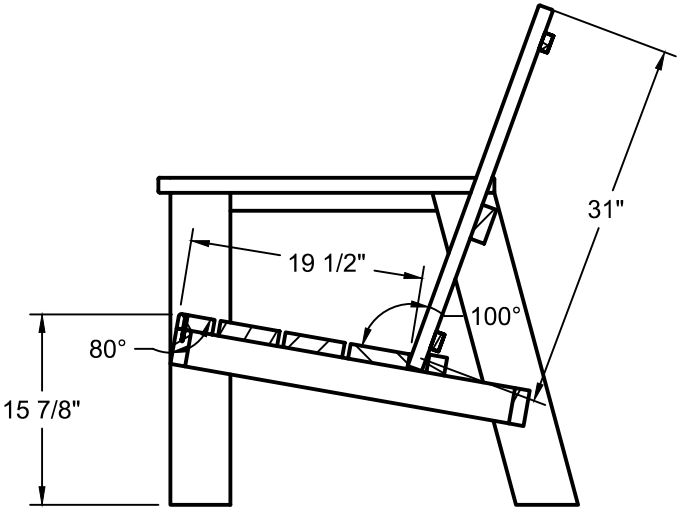
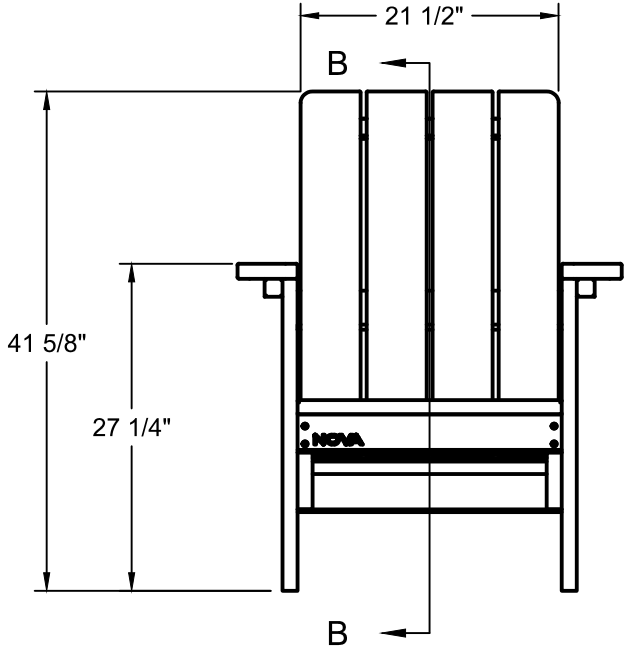
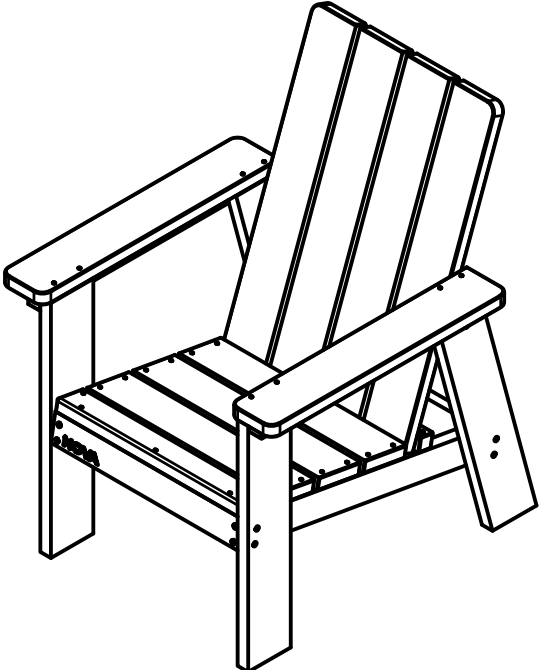
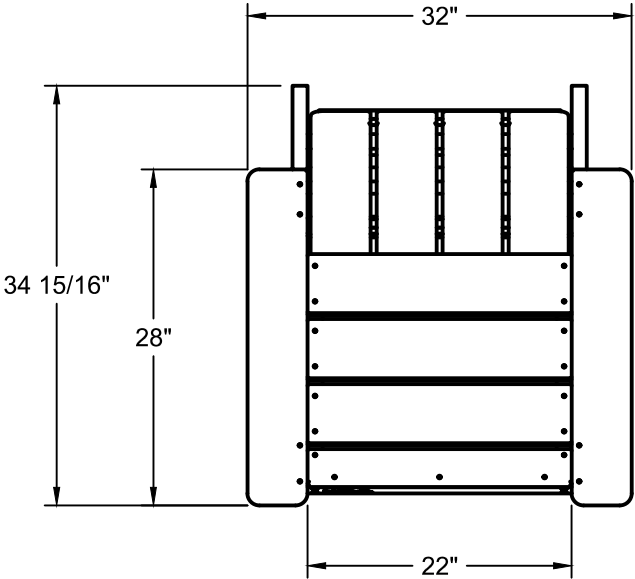


# ASM-ADCU



SECTION B-B