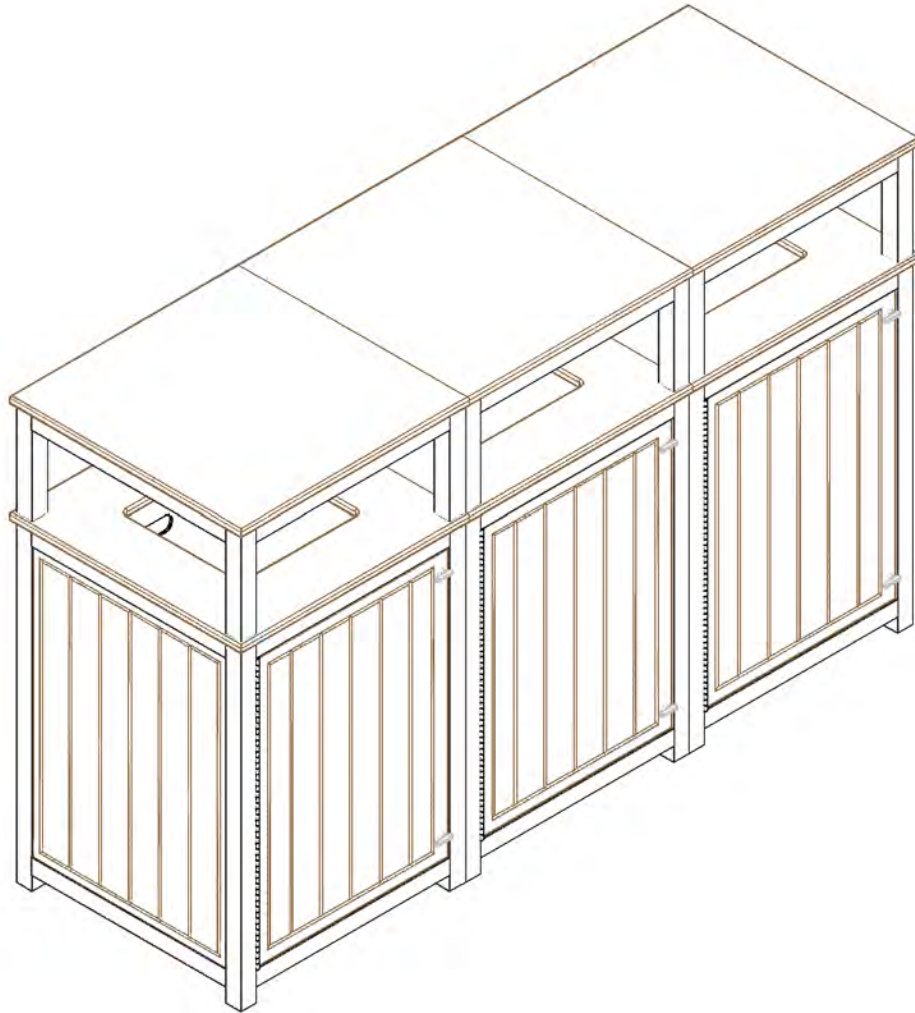


3T32 Receptacle

For Fastener Pack
(FP-3T32-CU-02)



Congratulations !!
**You have just purchased the finest recycled
plastic receptacle available. Enjoy !!!**

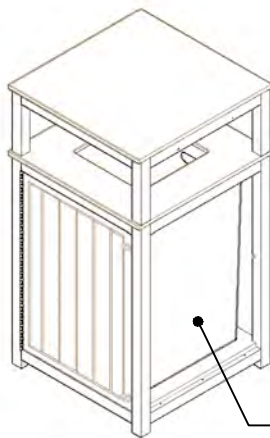
Before assembly, please make sure all components are included.



(1) - One Fastener Pack
FP-3T32-CU-02

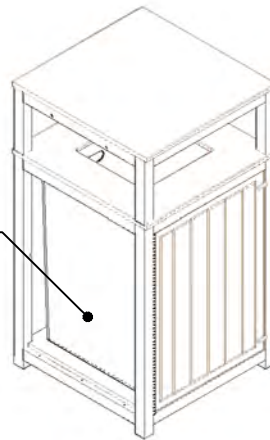
FP - Fastener Pack

A - (1) One Left Receptacle
w/ 32 gal. Liner
SBA-2T32-D



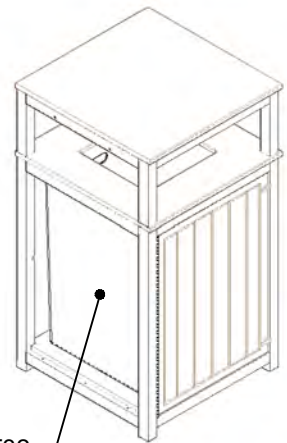
LINER - T32

B - (1) One Center Receptacle
w/ 32 gal. Liner (2 Open Sides)
SBA-2T32-E



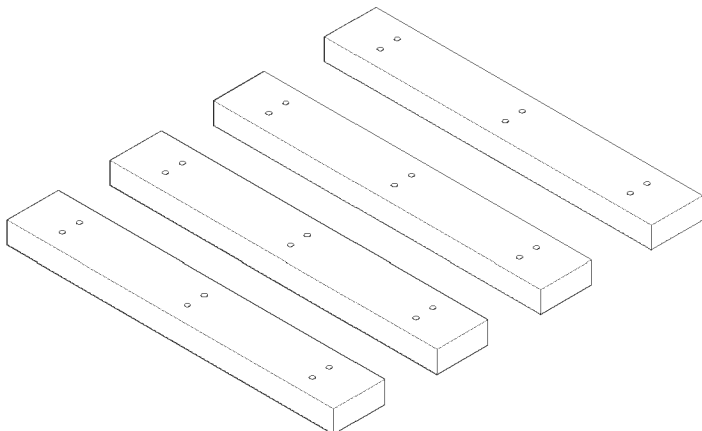
LINER - T32

C - (1) One Right Receptacle
w/ 32 gal. Liner
SBA-3T32-D



LINER - T32

D - (4) Four Connecting Blocks
BP-2T32-F



E - (2) Two Connecting Spacers
BP-2T32-S3



Before assembly, please make sure all fasteners are included.

28 - #12 x 2 1/2" Pan Head Phillips Screw



Also needed for this assembly will be the following materials:

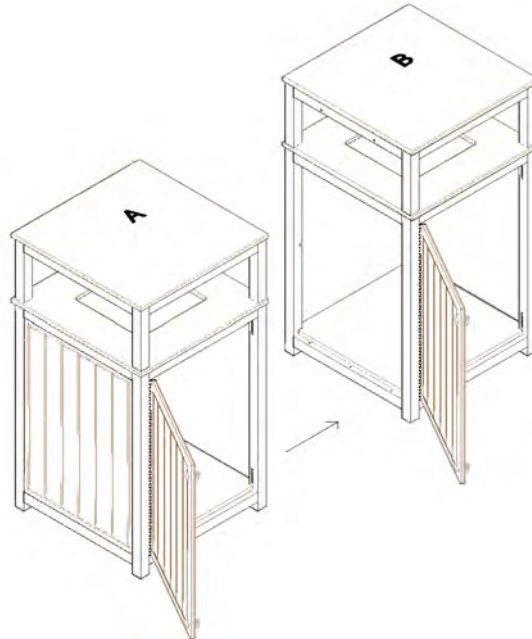
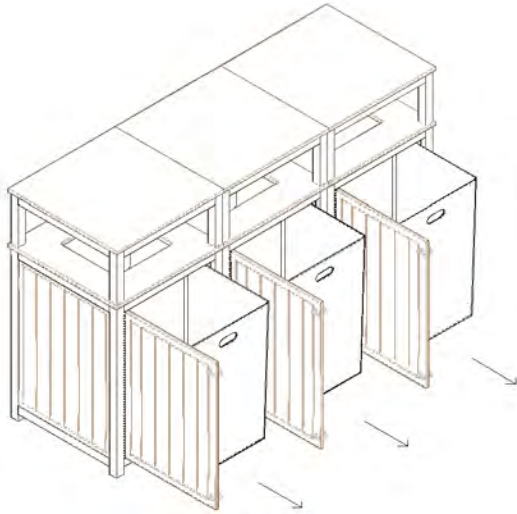
1 - #3 Phillips Drive Bit

***IMPORTANT NOTICE*:**

- DO NOT OVER-TIGHTEN SCREWS.
- USE A DRILL WITH ADJUSTABLE TORQUE FOR BEST RESULTS.
- OVER-TIGHTENING WILL RESULT IN STRIPPING OUT THE PILOT HOLE, AND SCREW WILL "SINK" INTO THE PLASTIC WHICH MAY CAUSE A STRESS FRACTURE.

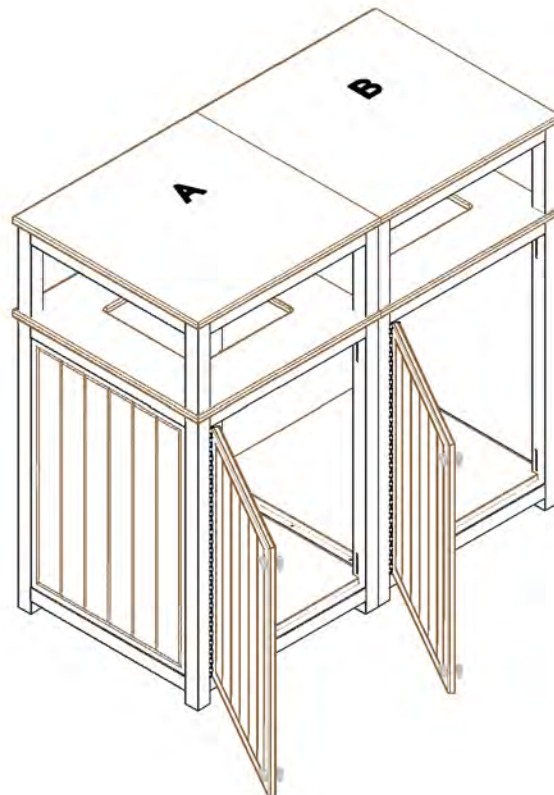
Step #1:

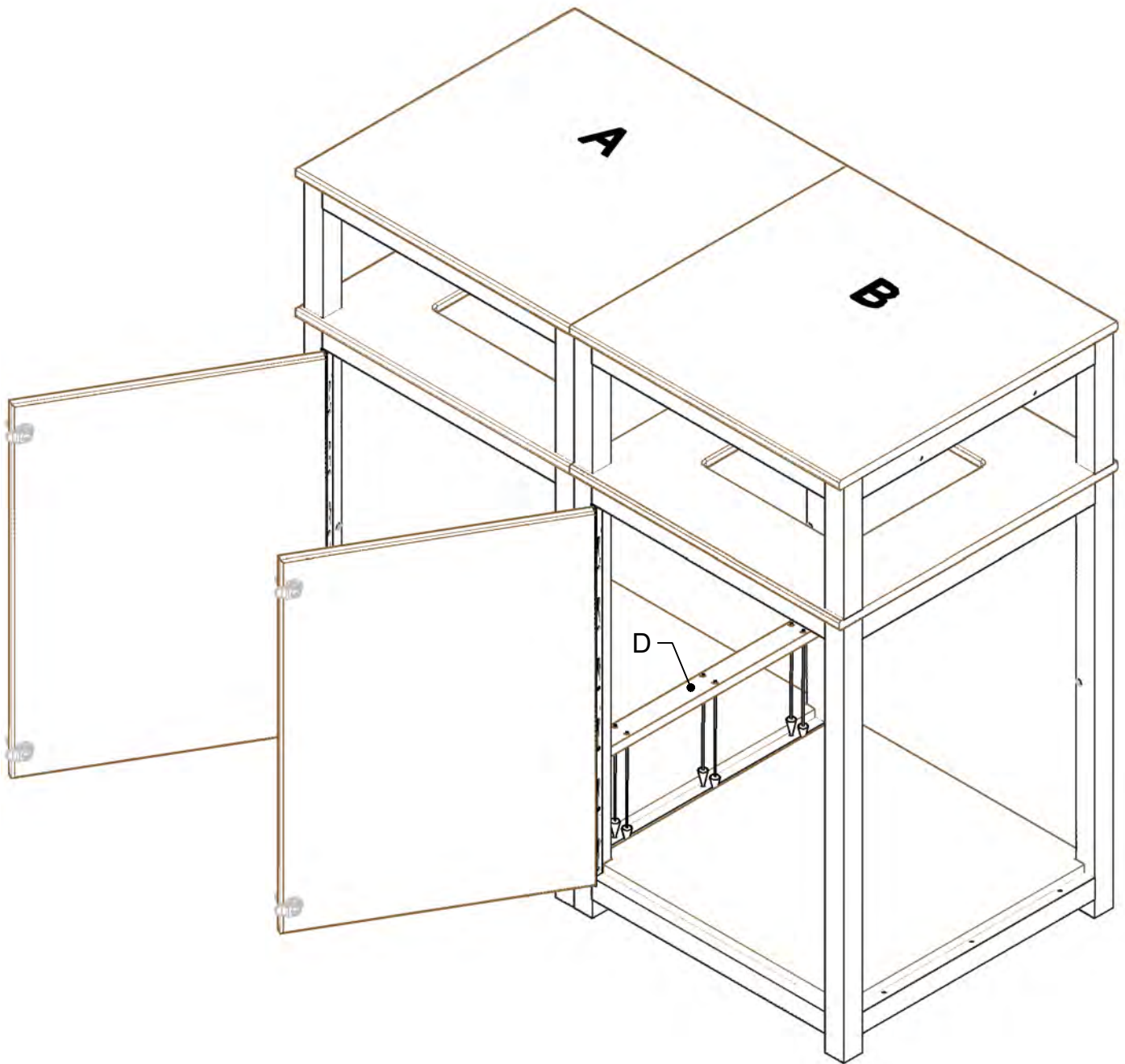
Take Receptacle "A", open the door and remove the 32 gallon liner. Set aside. Repeat for Receptacle "B" & "C".



Step #2:

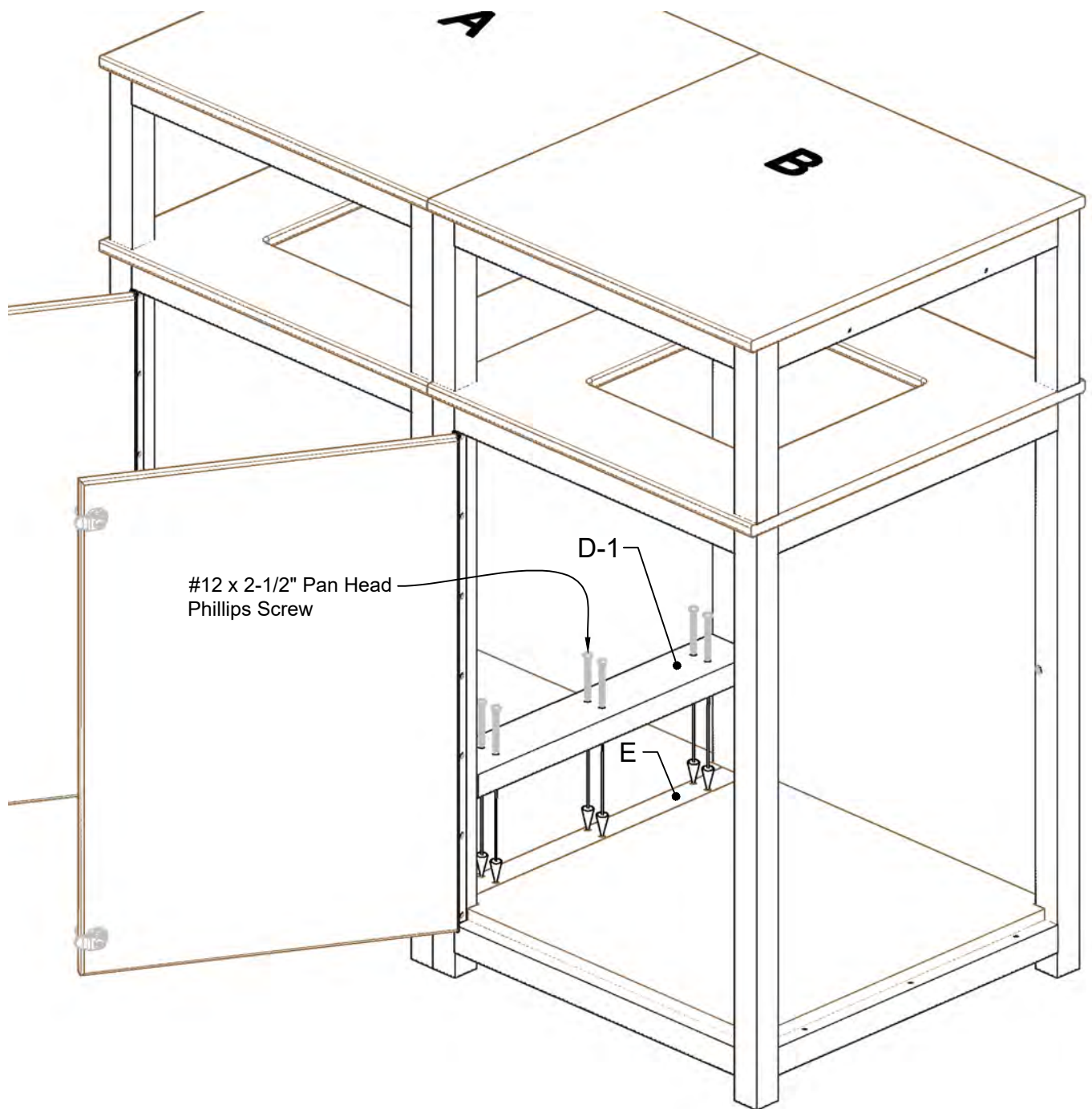
With the door openings on facing the same direction, Take Receptacle "A" and place it as close as possible to Receptacle "B" (the sides without panels facing each other, as shown).





Step #3:

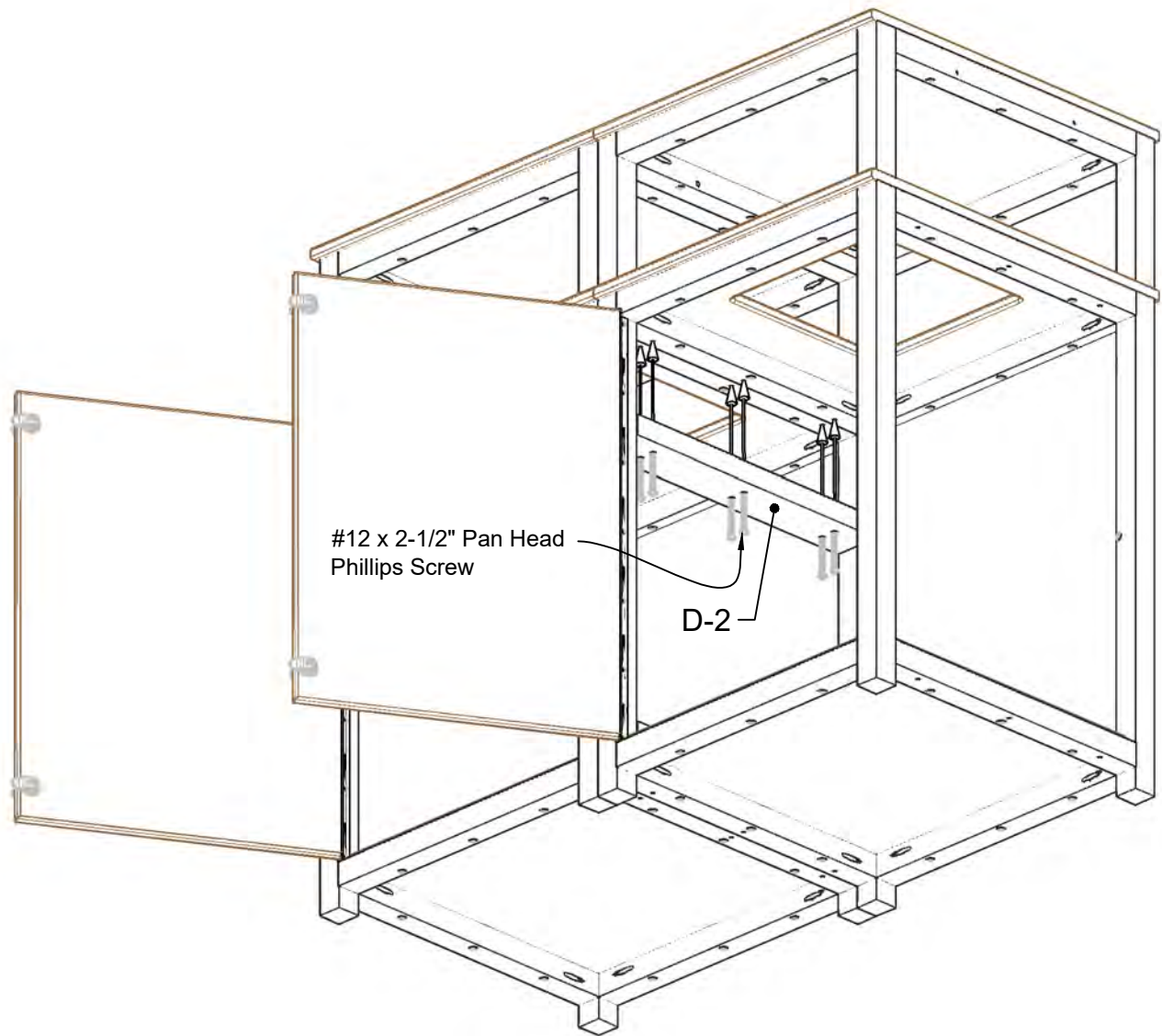
Align the pre-drilled holes in part "D" with the pilot holes at the base of Receptacle "A" and "B" as shown above.



Step #4:

Align the pre-drilled holes in part "D-1" to part "E" and the pilot holes in the bottom of parts "A" & "B" as shown above. After the holes are properly aligned, fasten with (1) One #12 x 2-1/2" Pan Head Phillips Screw per hole.

Note: Do not tighten screws completely, this will be done at a later step.



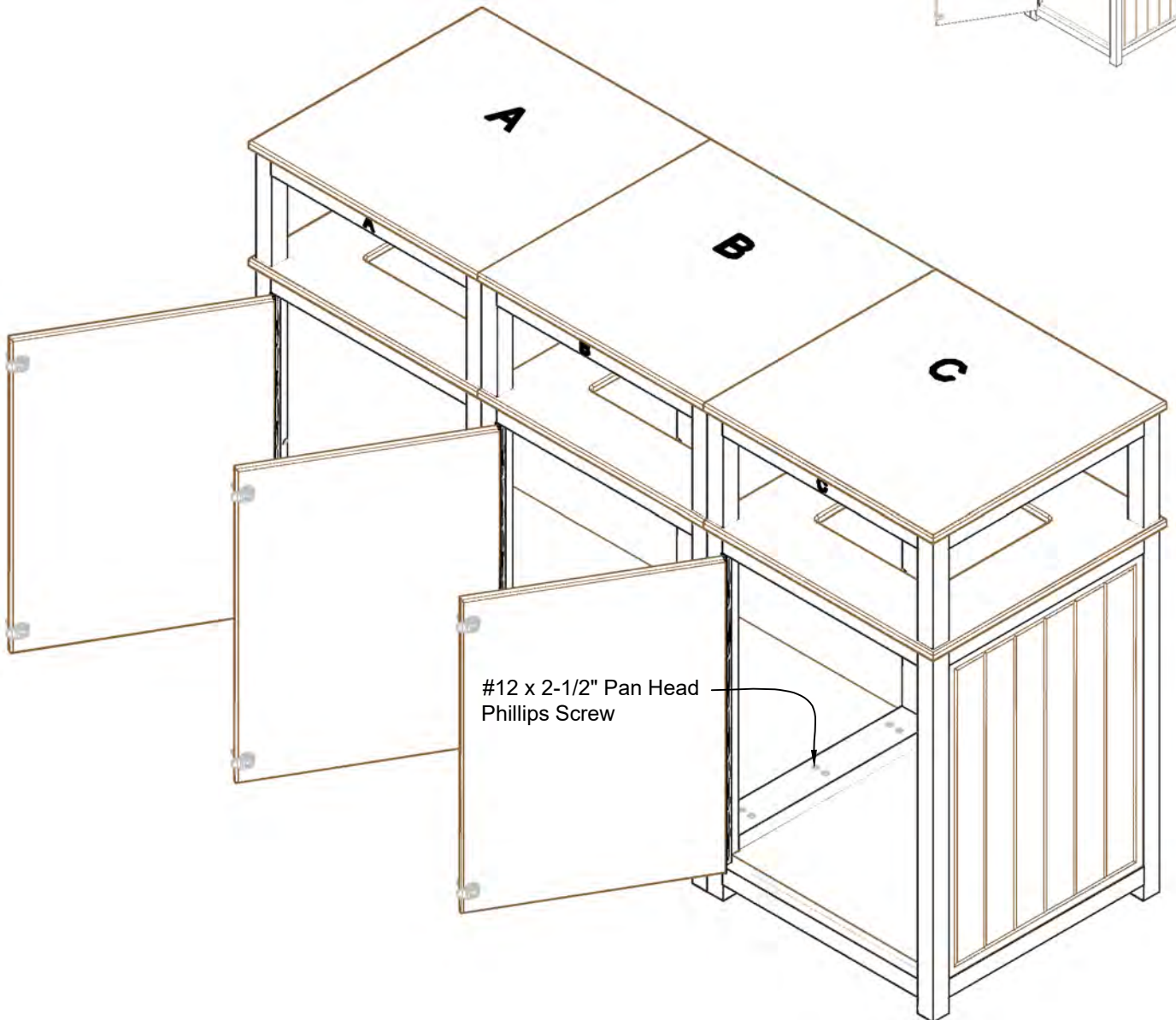
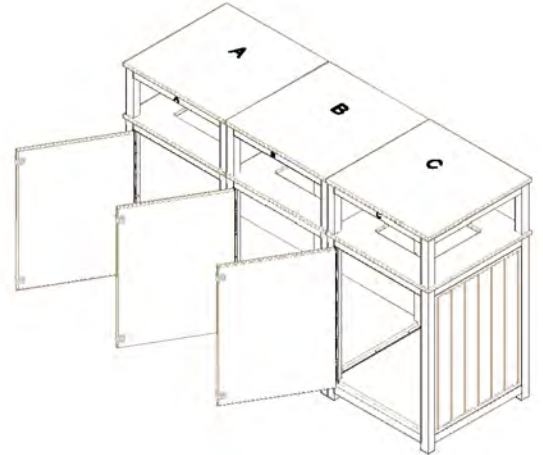
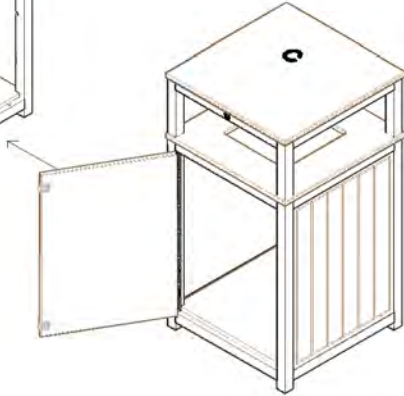
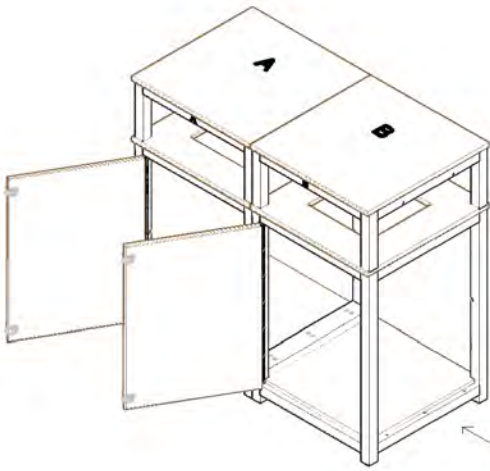
Step #5:

Take part "D-2" and line up the pre-drilled holes with the pilot holes inside Receptacles "A" and "B" as shown above. With the holes aligned, fasten (1) #12 x 2-1/2" Pan Head Phillips Screw per hole.

Note: Do not tighten screws completely, this will be done at a later step.

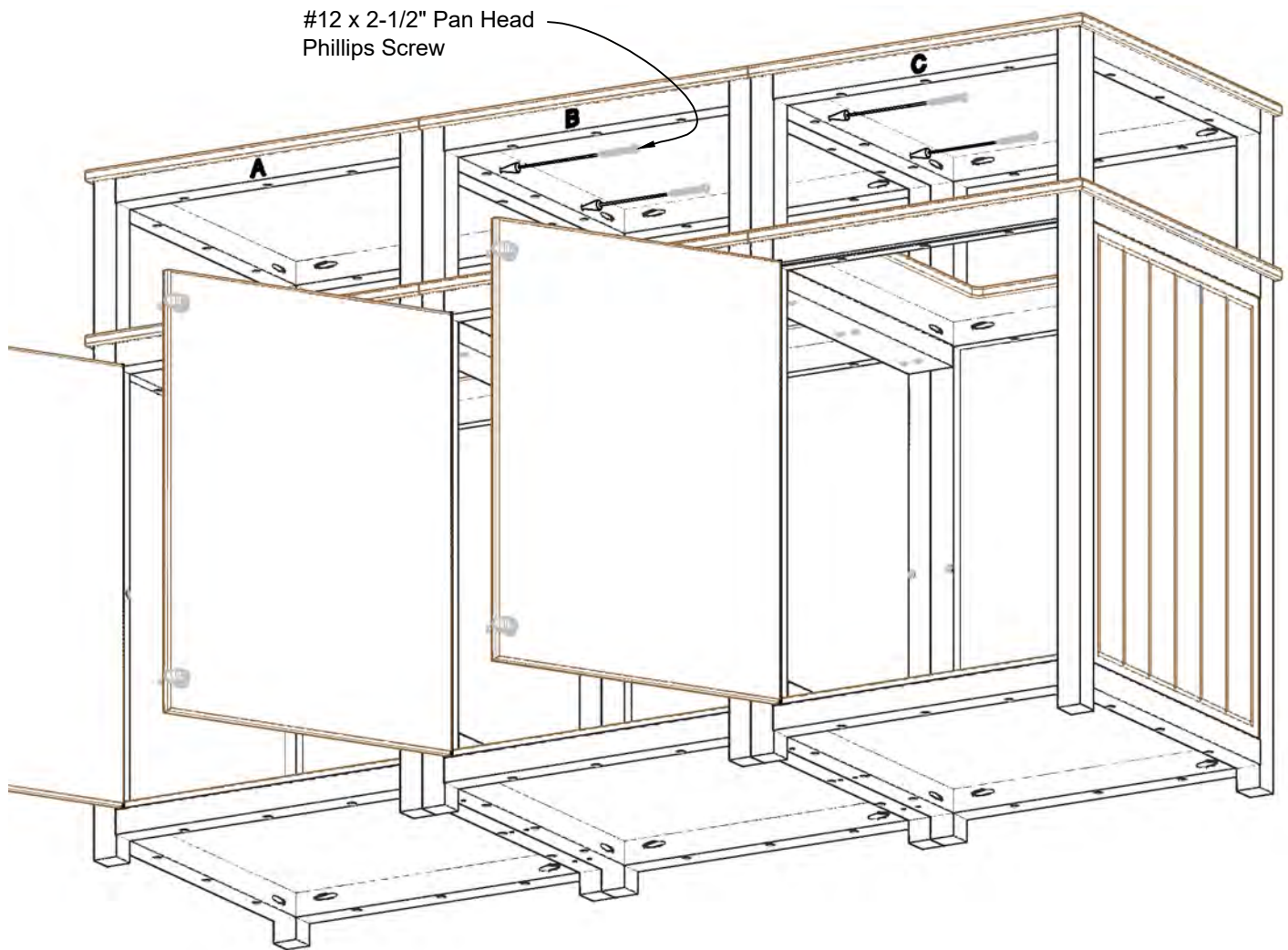
Step #6:

Take Receptacle "C", with the door opening facing in the same direction as Receptacles "A" & "B", and repeat step #2 - #5 for Receptacles "C" & "B" respectively.



Note:

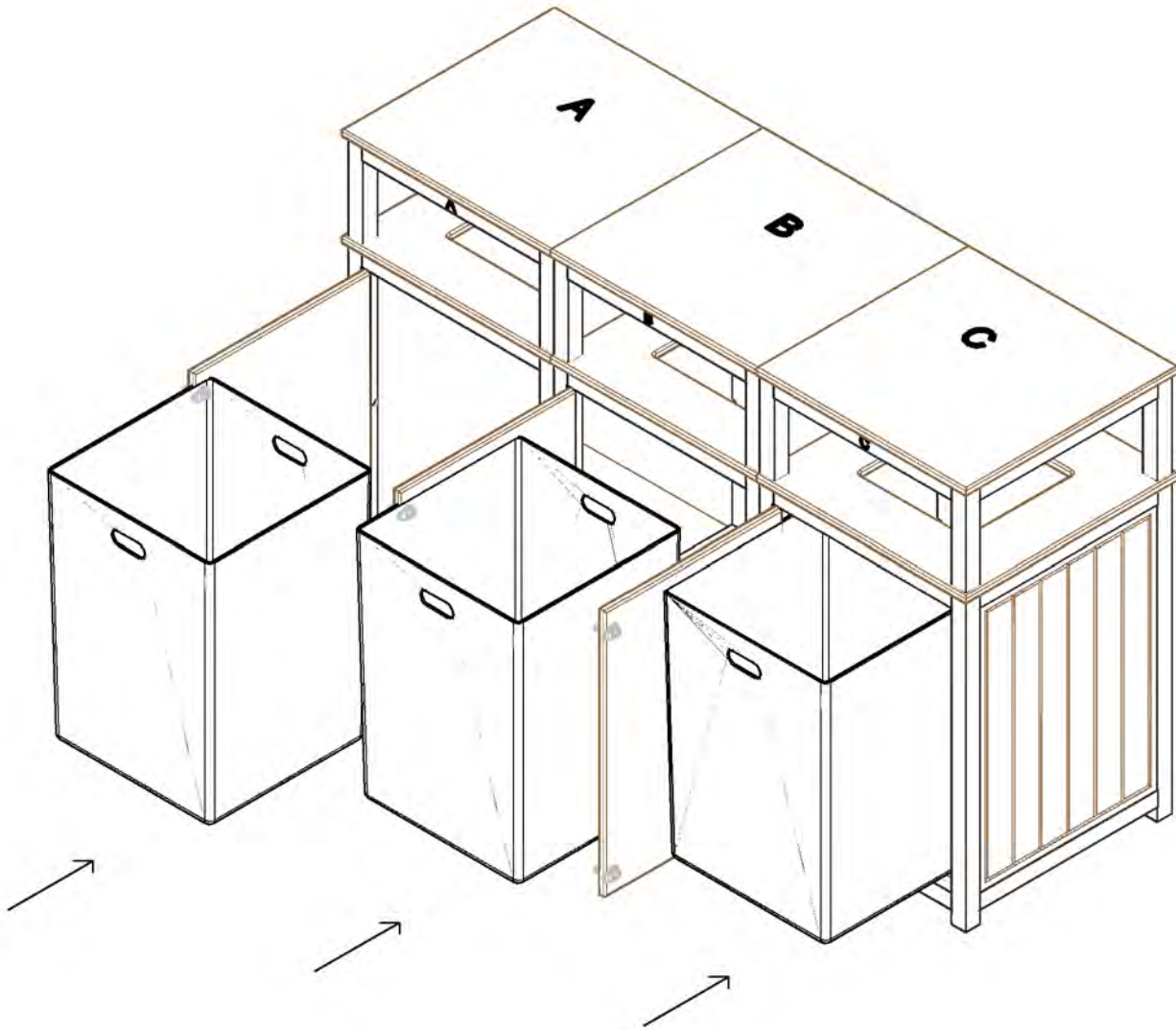
At this point the pre-drilled holes located at the top of Receptacle "B" and the pilot holes in Receptacle "A" should be aligned, as well as the pre-drilled holes in Receptacle "C" with the pilot holes in Receptacle "B". (If they are not aligned, loosen screws that were previously fastened in Steps #4 - #6.)



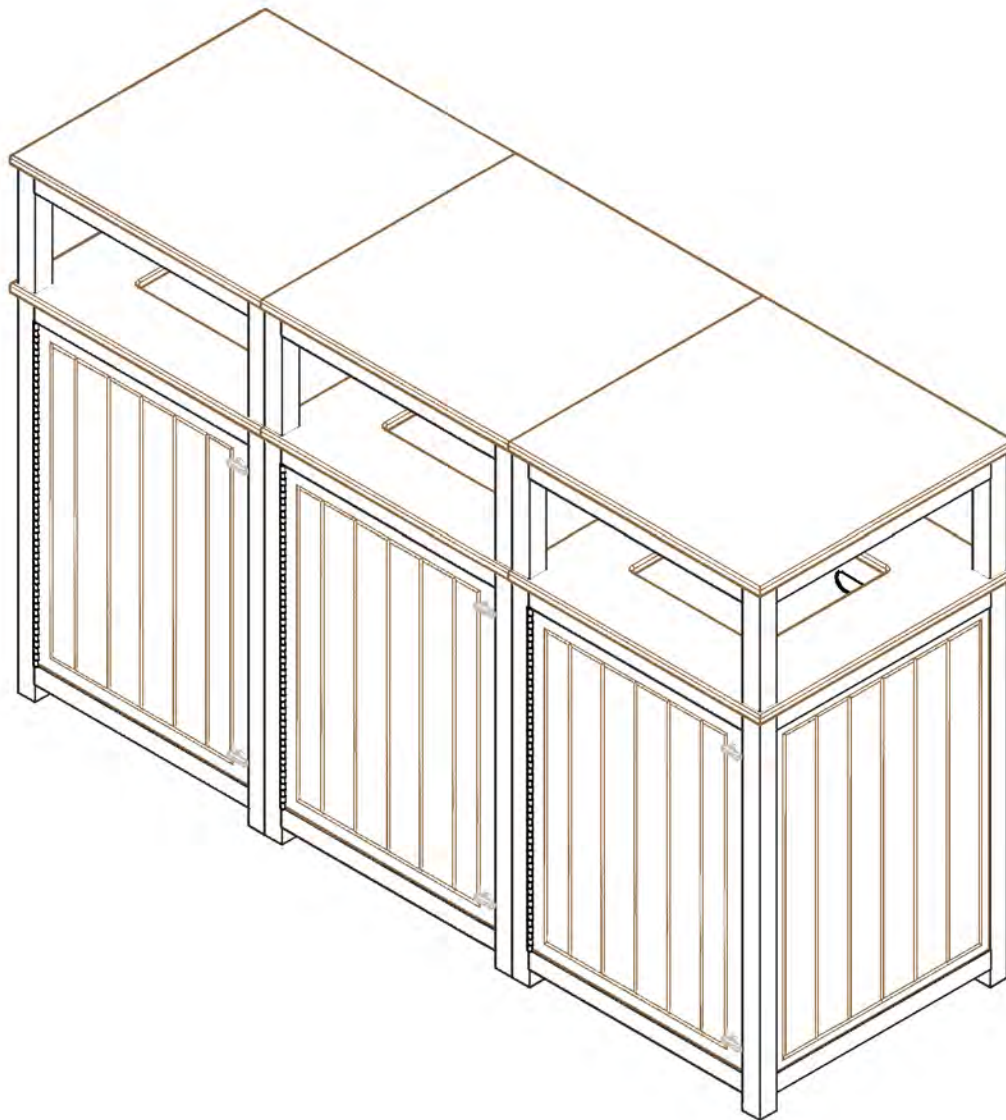
Step #7:

With the pre-drilled holes in Receptacle "B" and the pilot holes in Receptacle "A" aligned, fasten (1) #12 x 2-1/2" Pan Head Phillips Screw in each hole. Repeat for Receptacle "C" & "B", as shown above.

Note: Be sure to tighten screws completely after this step.



Step #8:
Replace the 32 gallon liner in each receptacle.



Step #9:

Close the doors and secure each latch. Your receptacle is now complete.

*Note: The receptacle weighs approximately 243 lbs., please use team lift when moving.

DEAR VALUED CUSTOMER,

THANK YOU FOR PURCHASING THIS PRODUCT. THIS PRODUCT IS MANUFACTURED USING RECYCLED MATERIALS AND MAY HAVE SLIGHT COLOR VARIATIONS, OCCASIONAL SPECKS OF COLOR OR IRREGULAR SURFACE PATTERNS. THESE ARE NORMAL CONDITIONS OF RECYCLED PLASTICS AND MAKE EACH PIECE OF FURNITURE UNIQUE. THESE CHARACTERISTICS DO NOT AFFECT THE STRENGTH, QUALITY OR PERFORMANCE OF THE PRODUCT.

THANK YOU AGAIN FOR PURCHASING THIS PRODUCT AND HELPING OUR ENVIRONMENT.