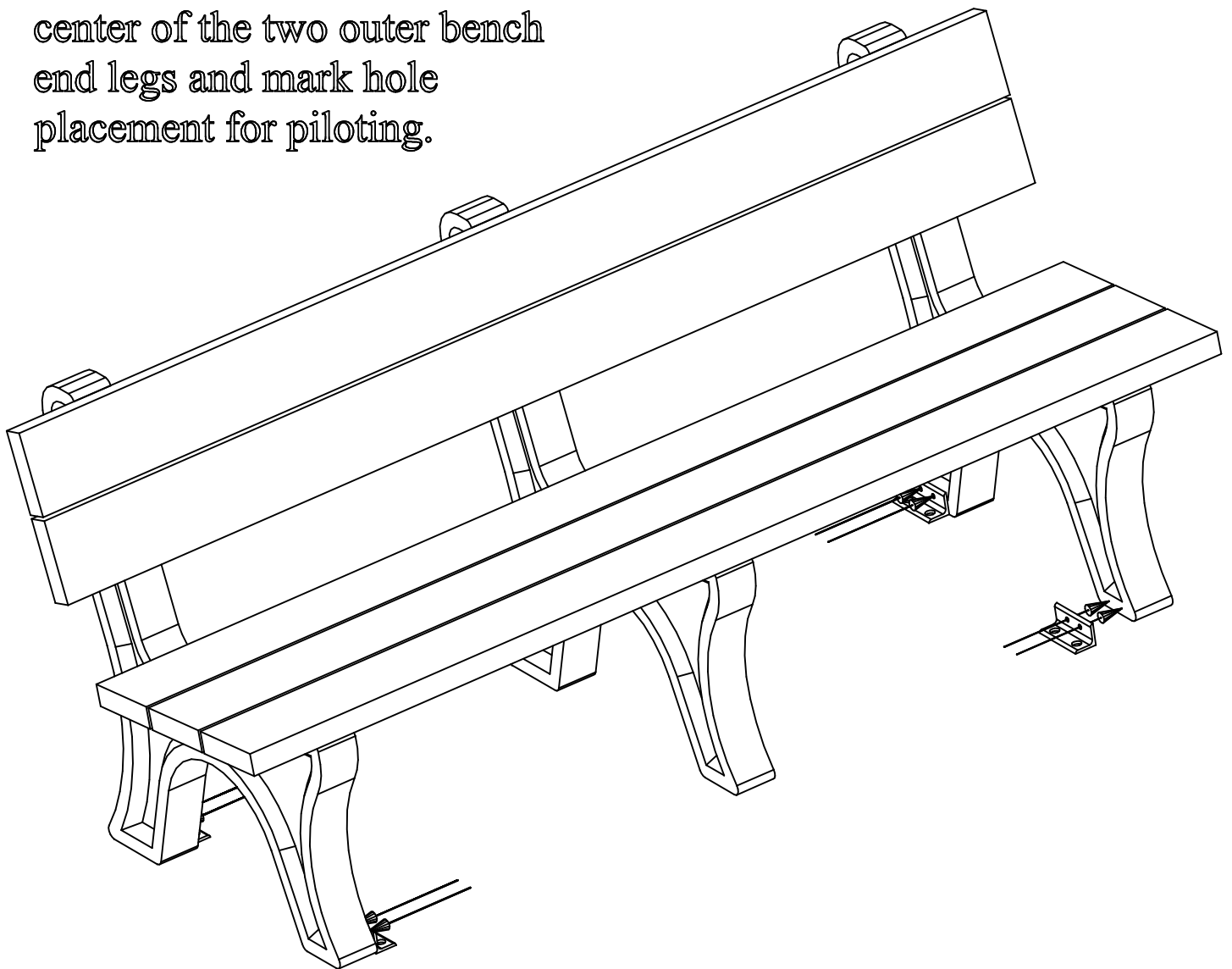


Backed Bench

ANCHORING INSTRUCTIONS

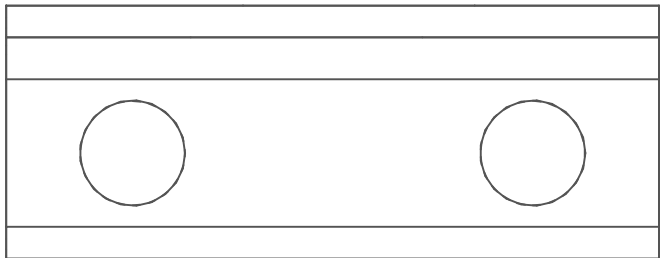
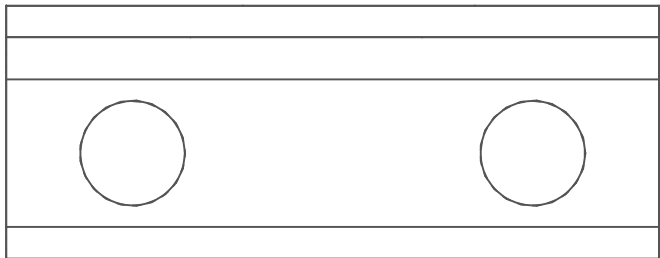
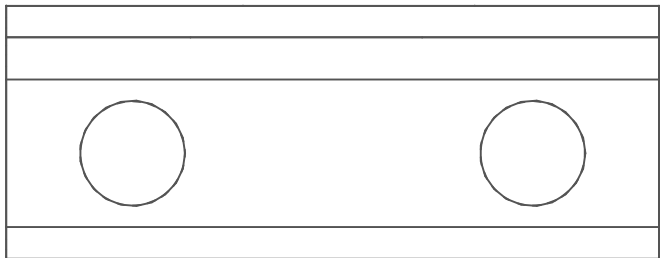
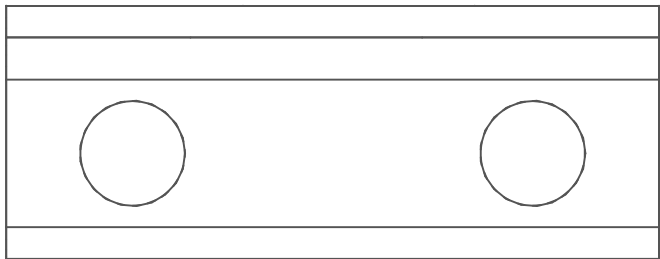
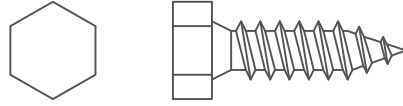
STEP #1:

After your bench is completely assembled, place the aluminum anchor brackets onto the inside center of the two outer bench end legs and mark hole placement for piloting.



Before assembly, please make sure all fasteners are included.

8 - 5/16" x 1 1/4" Hex Head Lag Bolt



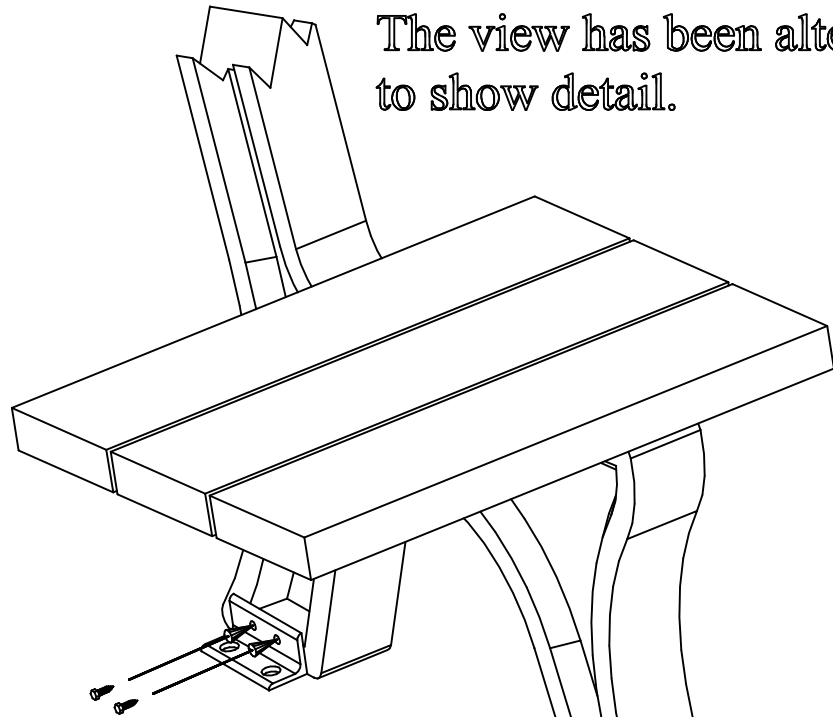
(4) - Four Aluminum
Anchor Brackets

STEP #2:

Remove the aluminum anchor brackets and pilot an $1/8$ " diameter hole $3/8$ " deep into the previously marked locations on the bench ends.

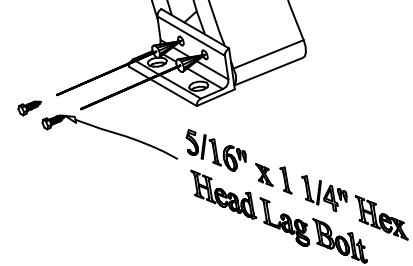
NOTE:

The view has been altered to show detail.



STEP #3:

After holes are drilled, line up the aluminum brackets and fasten using the $5/16$ " x $1\ 1/4$ " Hex Head Lag Bolts provided as shown above.



STEP #4:

Put your bench in place and anchor into place following the installation instructions from the manufacturer. Anchors are not provided due to different applications. Please see your local hardware store to get the proper anchor for your application.