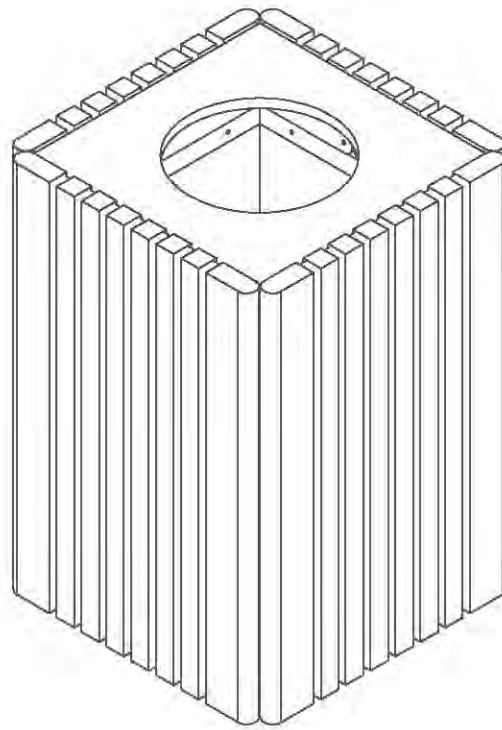


40 Gallon Trash Receptacle

For Fastener Pack
(FP-T40-CU-03)

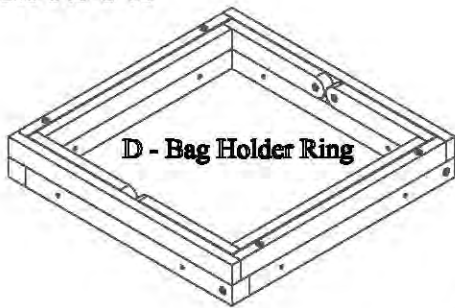


Congratulations ! !

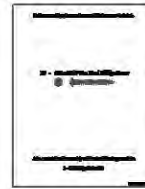
You have just purchased the finest recycled plastic
trash receptacle available. Enjoy ! ! !

Before assembly, please make sure all components are included.

(1) - One Bag Holder Ring
GSSA-T40-C-01



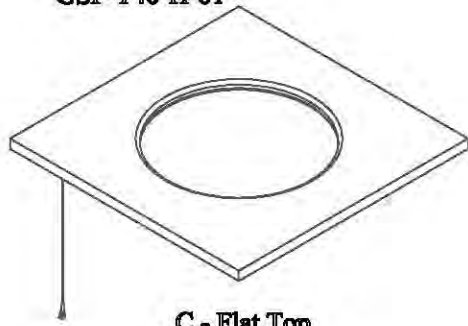
D - Bag Holder Ring



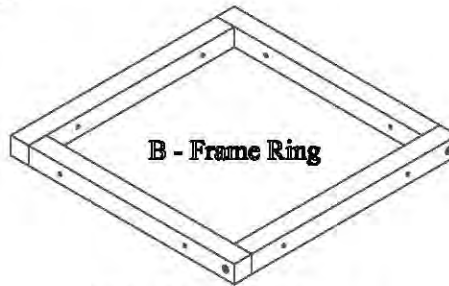
FP - Fastener Pack

(1) - One Fastener Pack
FP-T40-CU-03

(1) - Flat Top with Lanyard
GSP-T40-H-01

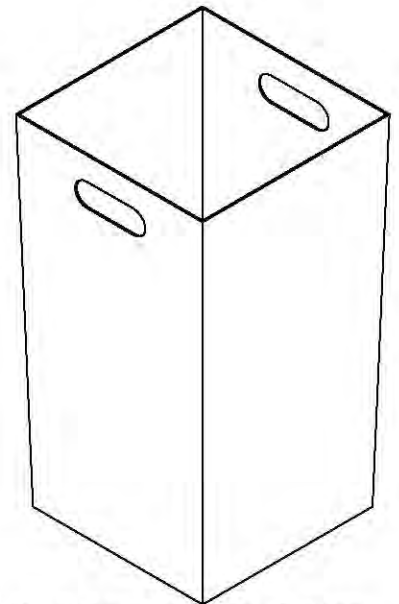


C - Flat Top

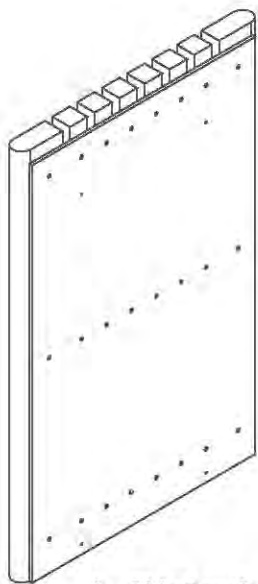


B - Frame Ring

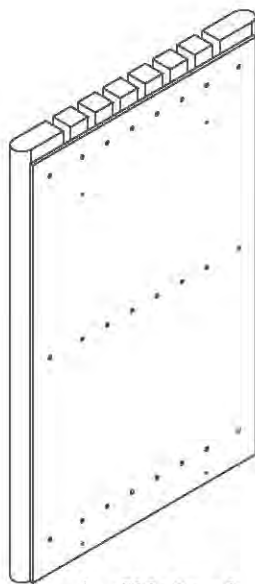
(1) - One Frame Ring
GSSA-TRPB-A-01



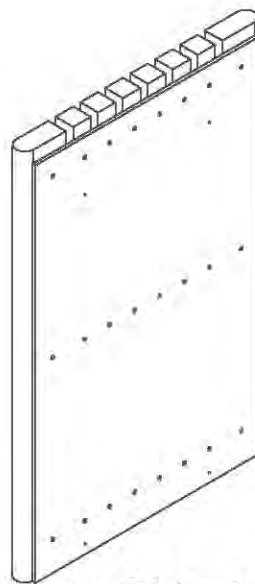
(1) - One Trash can Liner
S7850-03-159



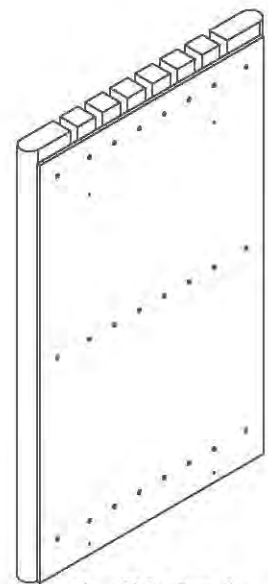
A - Side Panel



A - Side Panel



A - Side Panel



A - Side Panel

(4) - Four Side Panels
GSSA-T40-A-02

Before assembly, please make sure all fasteners are included.

16 - #12 x 2 1/2" Flat Head Phillips Screw

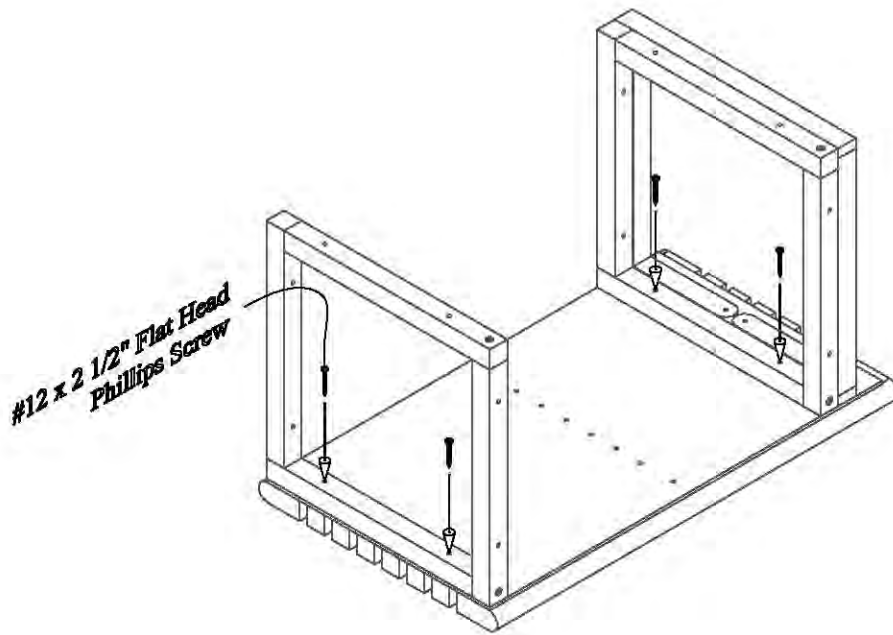


Also needed for this assembly will be the following materials:

1 - #3 Phillips Drive Bit

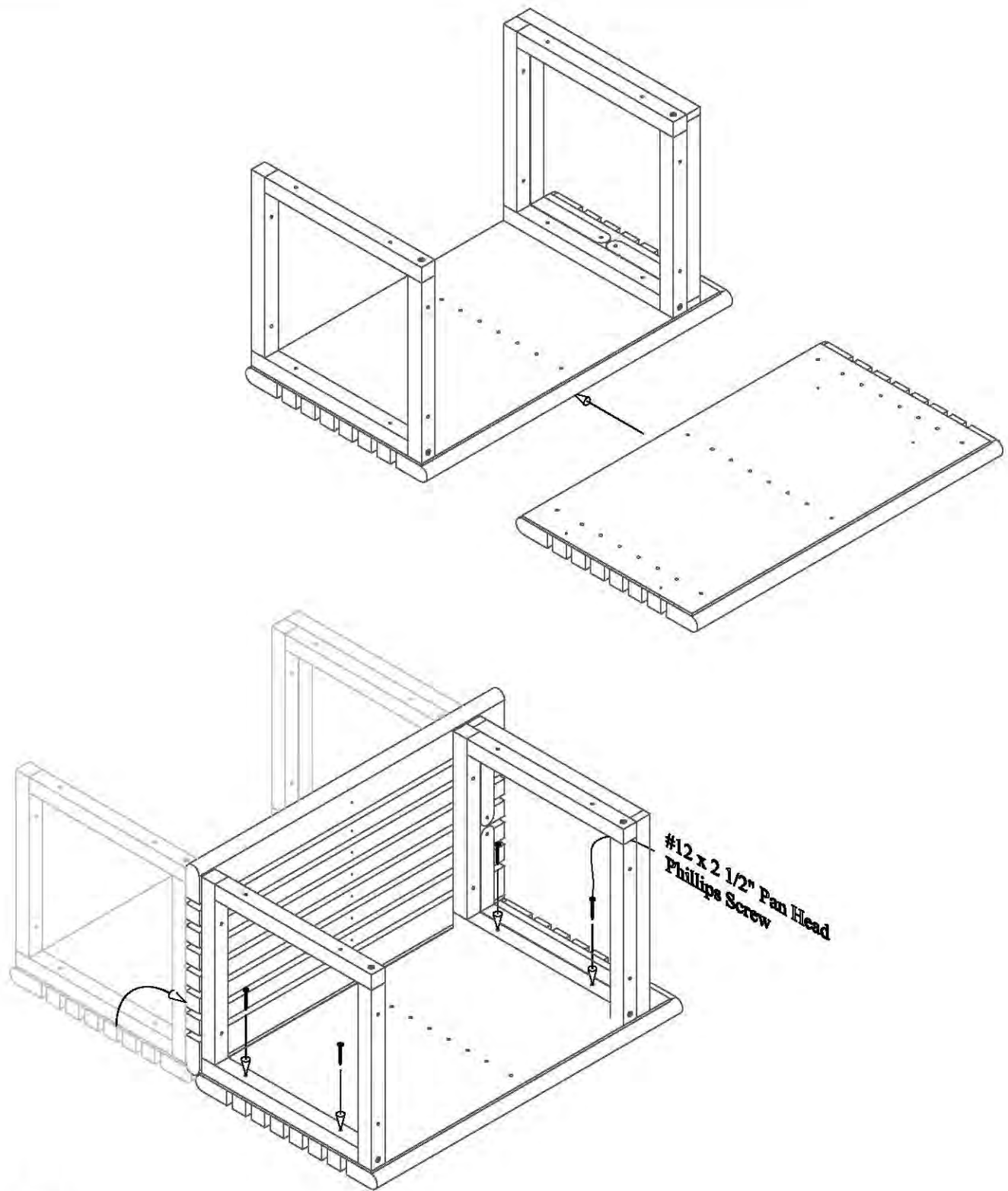
***IMPORTANT NOTICE*:**

- * DO NOT OVER-TIGHTEN SCREWS.
- * USE A DRILL WITH ADJUSTABLE TORQUE FOR BEST RESULTS.
- * OVER-TIGHTENING MAY RESULT IN STRIPPING OUT THE PILOT HOLE, AND SCREW MAY "SINK" INTO THE PLASTIC WHICH MAY CAUSE A STRESS FRACTURE.



Step #1:

Lay a Side Panel as shown. Place the Bag Holder Ring at the top of the panel as shown in the above diagram. Place the Frame Ring at the bottom of the panel. Making sure the holes line up with the pre-drilled pilot holes in the panel. Fasten using (1) one 2-1/2" flat head screw per hole. Repeat for the bottom of the panel.



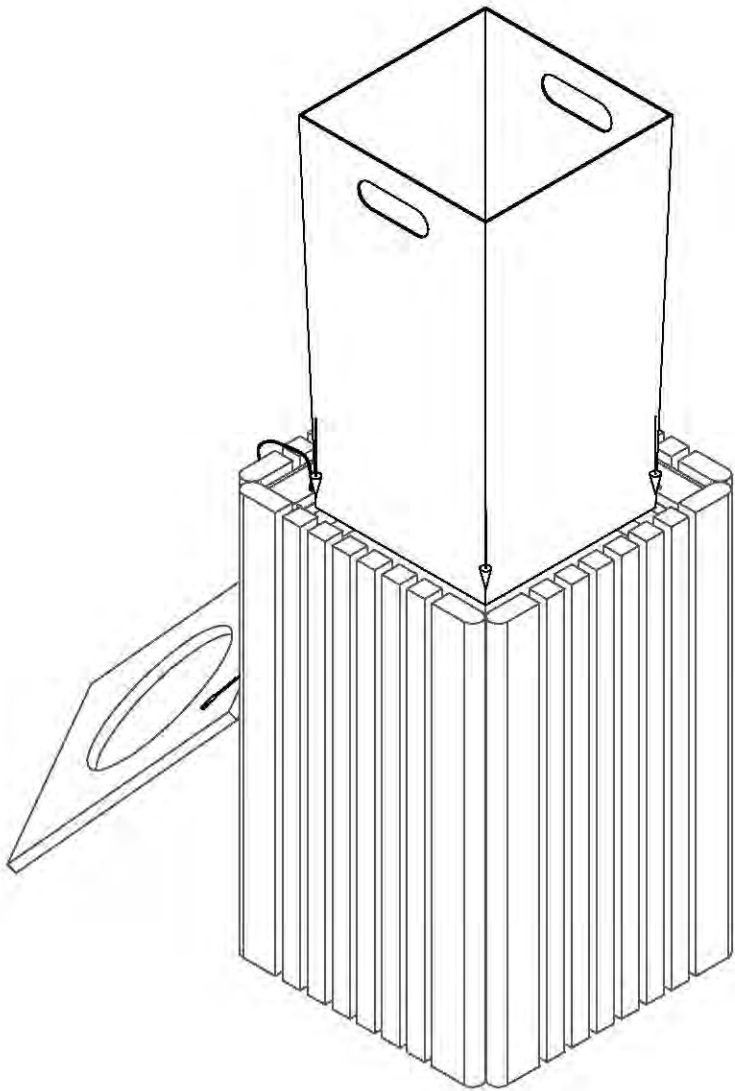
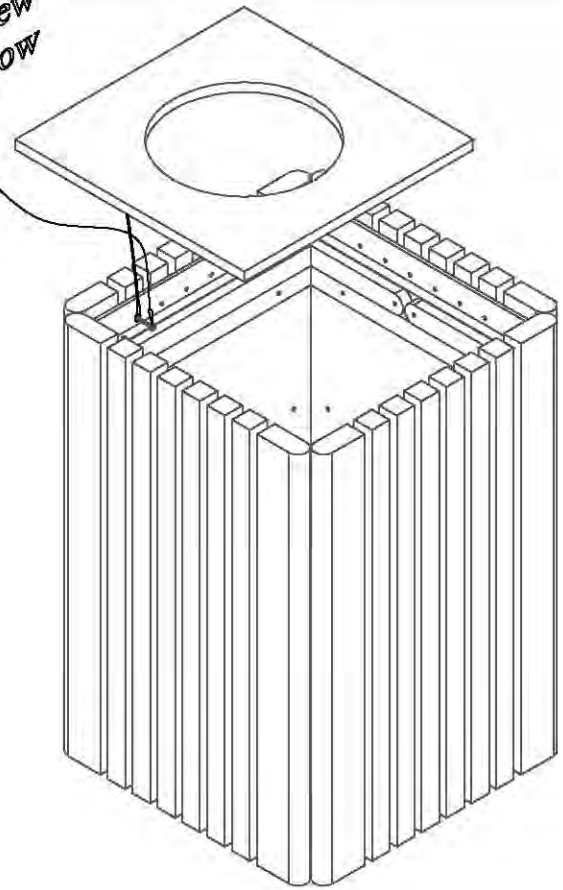
Step #2:

Place another Side Panel beside the previous panel so that it touches as displayed in the diagram above. Gently turn the side panel with the rings installed on to the new side panel. Making sure the holes line up with the pre-drilled pilot holes in the panel. Fasten using (1) one 2-1/2" flat head screw per hole. Repeat this step for the rest of the Side Panels.

Step #3:

Turn the trash receptacle upright onto its base. Please use caution while moving. At this point in assembly the receptacle will weigh approximately 145 pounds. Remove one of the screws from the top row of screws and re-secure it with the lanyard eyelet captured by the screw.

*Remove a screw
from the top row*



Step #4:

Place the Trash liner inside the base as shown and rest the top onto the the inner ledge of the panels.

DEAR VALUED CUSTOMER,

THANK YOU FOR PURCHASING THIS PRODUCT. THIS PRODUCT IS MANUFACTURED USING RECYCLED MATERIALS AND MAY HAVE SLIGHT COLOR VARIATIONS, OCCASIONAL SPECKS OF COLOR OR IRREGULAR SURFACE PATTERNS. THESE ARE NORMAL CONDITIONS OF RECYCLED PLASTICS AND MAKE EACH PIECE OF FURNITURE UNIQUE. THESE CHARACTERISTICS DO NOT AFFECT THE STRENGTH, QUALITY OR PERFORMANCE OF THE PRODUCT.

THANK YOU AGAIN FOR PURCHASING THIS PRODUCT AND HELPING OUR ENVIRONMENT.