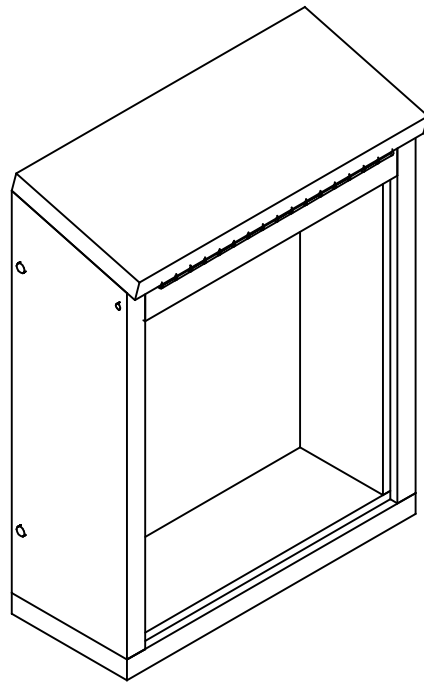


Message Center Literature Rack

For Fastener Pack
(FP-SMC-LR-CU-00)



Congratulations !!

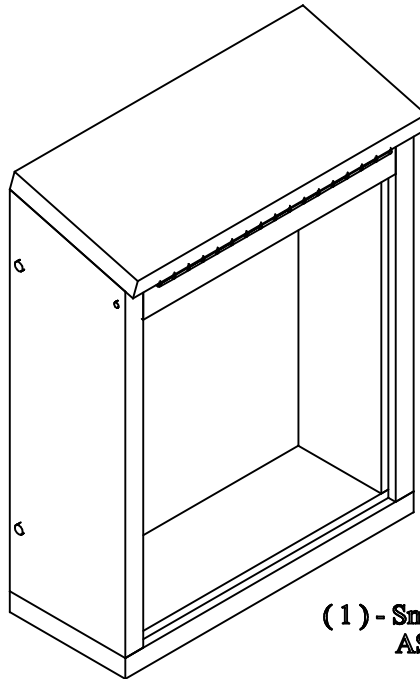
You have just purchased the finest recycled plastic
Literature Rack available. Enjoy !!!

Before assembly, please make sure all components are included.



**(1) - One Fastener Pack
FP-SMC-LR-CU-00**

FP - Fastener Pack



**(1) - Small Literature Rack for Message Centers
ASM-SMC-LR-00**

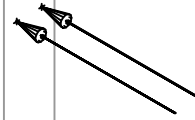
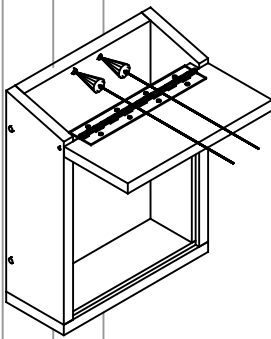
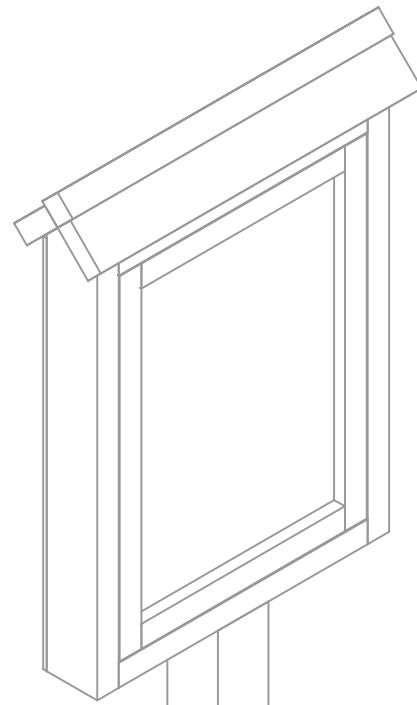
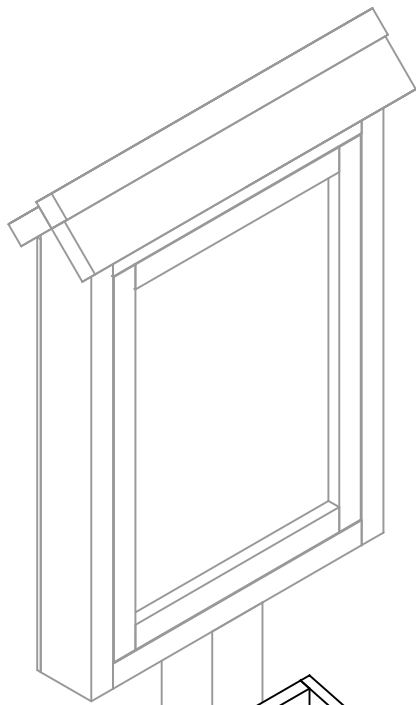
Before assembly, please make sure all fasteners are included.

2 - #12 x 2" Flat Head Phillips Screw

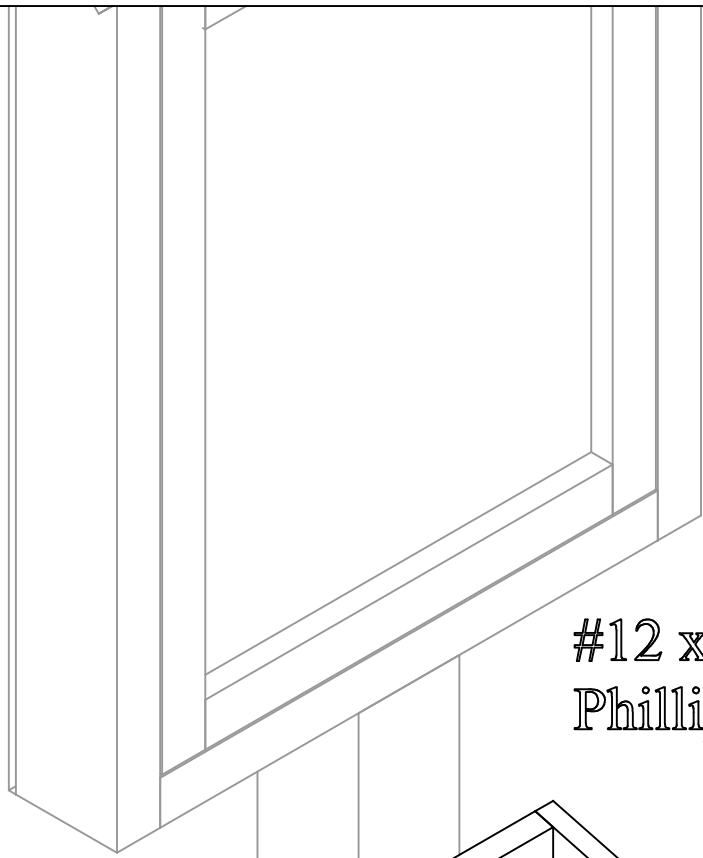


Also needed for this assembly will be the following materials:

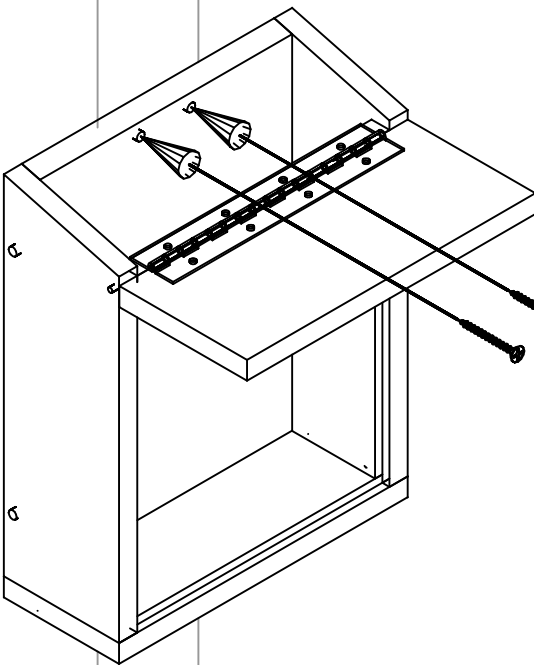
1 - #3 Phillips Drive Bit



Place the Literature Rack in the desired location on the installed Message Center post and mark the two holes. Remove the Literature Rack and pre-drill the two holes using an 1/8" drill bit going about 3/8" into the 4x4 post.



#12 x 2" Flat Head
Phillips Screw



Align the pilot holes in the posts with the pre-drilled holes on the Literature Rack and fasten them together with (1) - one #12 x 2" Flat Head Phillips Screw per aligned hole.