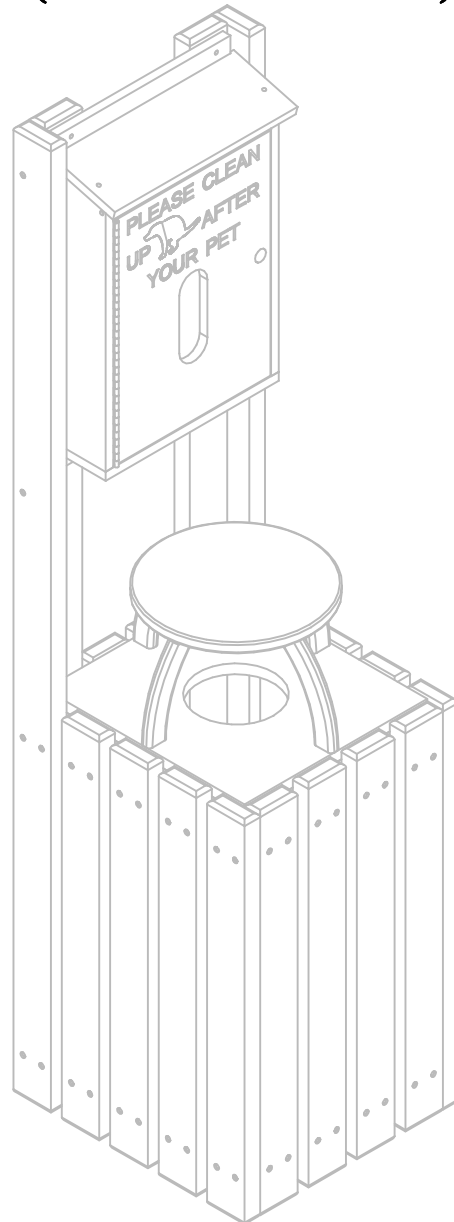


# Pet Waste Doggie Depot Receptacle w/Bag Dispenser

For Fastener Pack  
(FP-PWDDPT-CU-00)

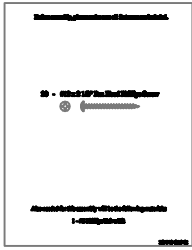


Congratulations !!

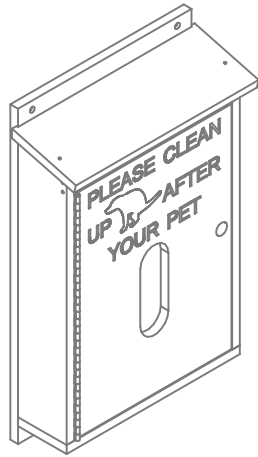
You have just purchased the finest recycled plastic  
Pet Waste Receptacle available. Enjoy !!!

FS-PWDDPT-CAP-00

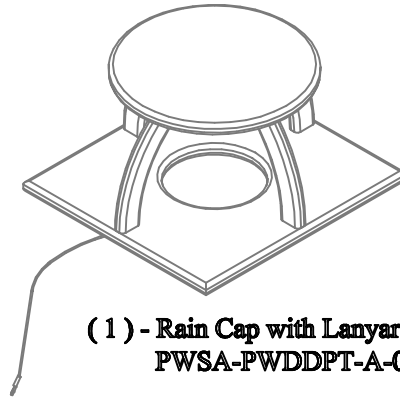
Before assembly, please make sure all components are included.



(1) - One Fastener Pack  
FP-PWDDPT-CU-00



(1) - Pet Waste Bag Dispenser  
ASM-PWBD-00



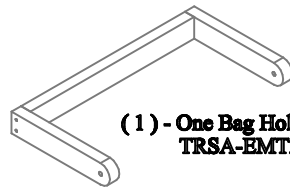
(1) - Rain Cap with Lanyard  
PWSA-PWDDPT-A-00



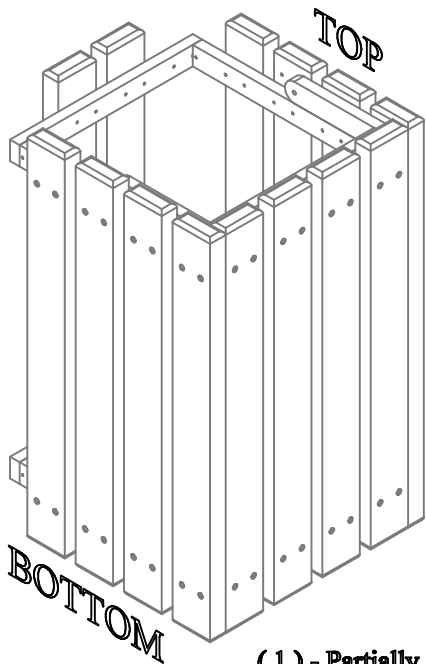
(1) - One Left Vertical Slat Sub-Assembly with Pilot Holes for Bag Dispenser  
PWSA-PWDDPT-B-00



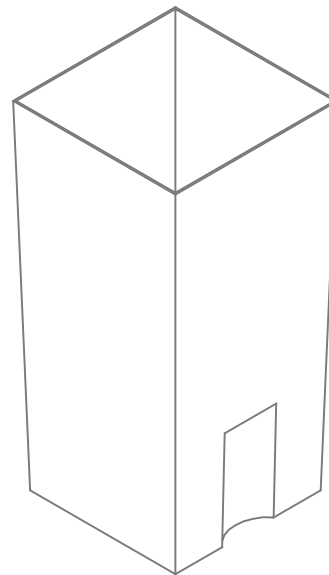
(1) - One Right Vertical Slat Sub-Assembly with Pilot Holes for Bag Dispenser  
PWSA-PWDDPT-C-00



(1) - One Bag Holder  
TRSA-EMT22-B-01



(1) - Partially Assembled Receptacle  
PWSA-PWDDPT-D-00



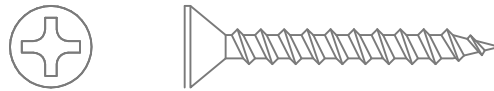
(1) - Receptacle Liner  
LINER-EMT22

Before assembly, please make sure all fasteners are included.

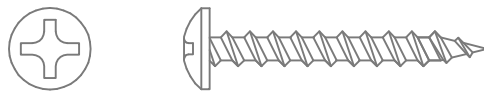
12 - #12 x 1-3/4" Flat Head Phillips Screw



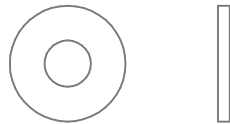
4 - #12 x 1-1/2" Flat Head Phillips Screw



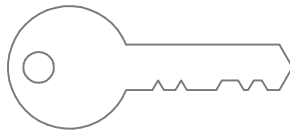
2 - #12 x 1-1/2" Pan Head Phillips Screw



4 - 1/4" Flat Washer



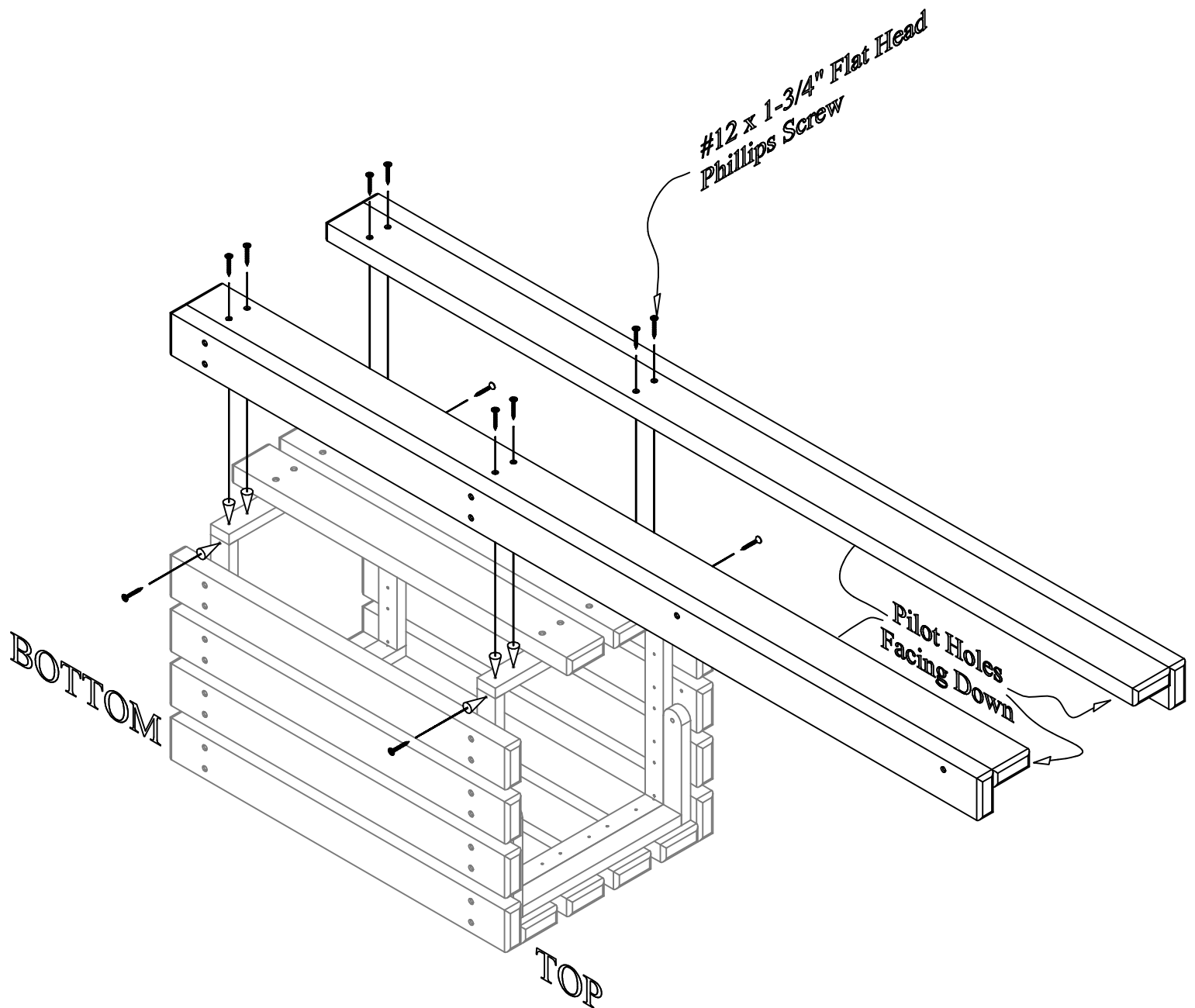
1 - Set of 2 Keys



Also needed for this assembly will be the following materials:

1 - #3 Phillips Drive Bit

**\*\*\*DO NOT OVER-TIGHTEN SCREWS\*\*\***  
**OVER -TIGHTENING MAY CAUSE THE BOARDS TO**  
**CRACK OVER TIME.**



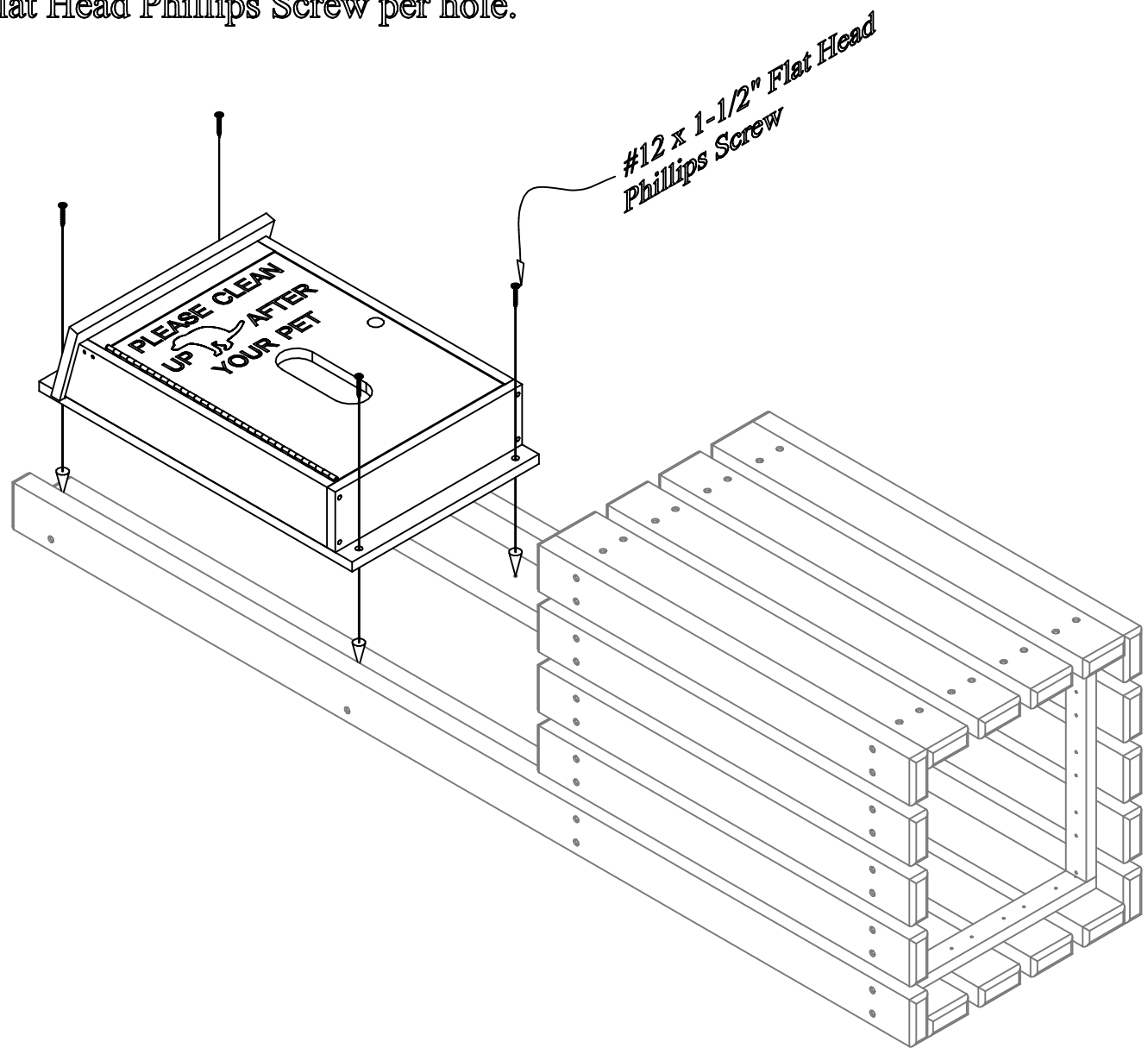
### Step #1:

With the Partially Assembled Receptacle on its side as shown, one at a time align and attach the left and right Vertical Slat Sub-Assemblies making sure the pilot holes for the Bag Dispenser are at the top of the receptacle and facing down. Fasten using (1) one #12 x 1-3/4" Flat Head Phillips Screw per aligned hole making sure to hit the pilot holes in the frames.

**DO NOT OVER-TIGHTEN SCREWS**

### Step #2:

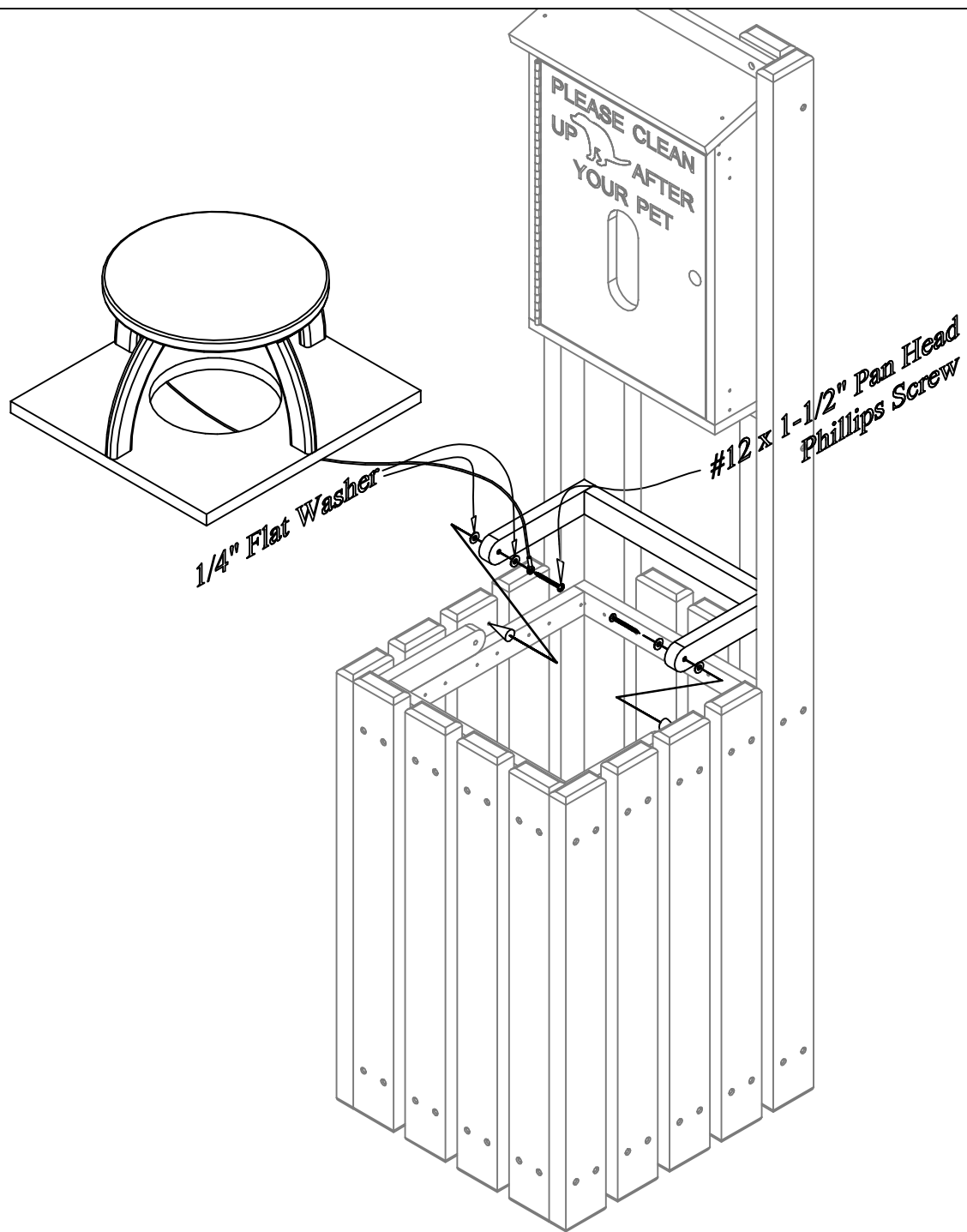
Rotate the receptacle around as shown below. Attach the Pet Waste Bag Dispenser making sure to align the counter-sunk holes on the Bag Dispenser with the pilot holes on the receptacle slats. Fasten using (1) one #12 x 1-1/2" Flat Head Phillips Screw per hole.



### Step #3:

Turn the trash receptacle upright onto its base. Please use caution while moving. At this point in assembly the receptacle will weigh approximately 100 pounds.

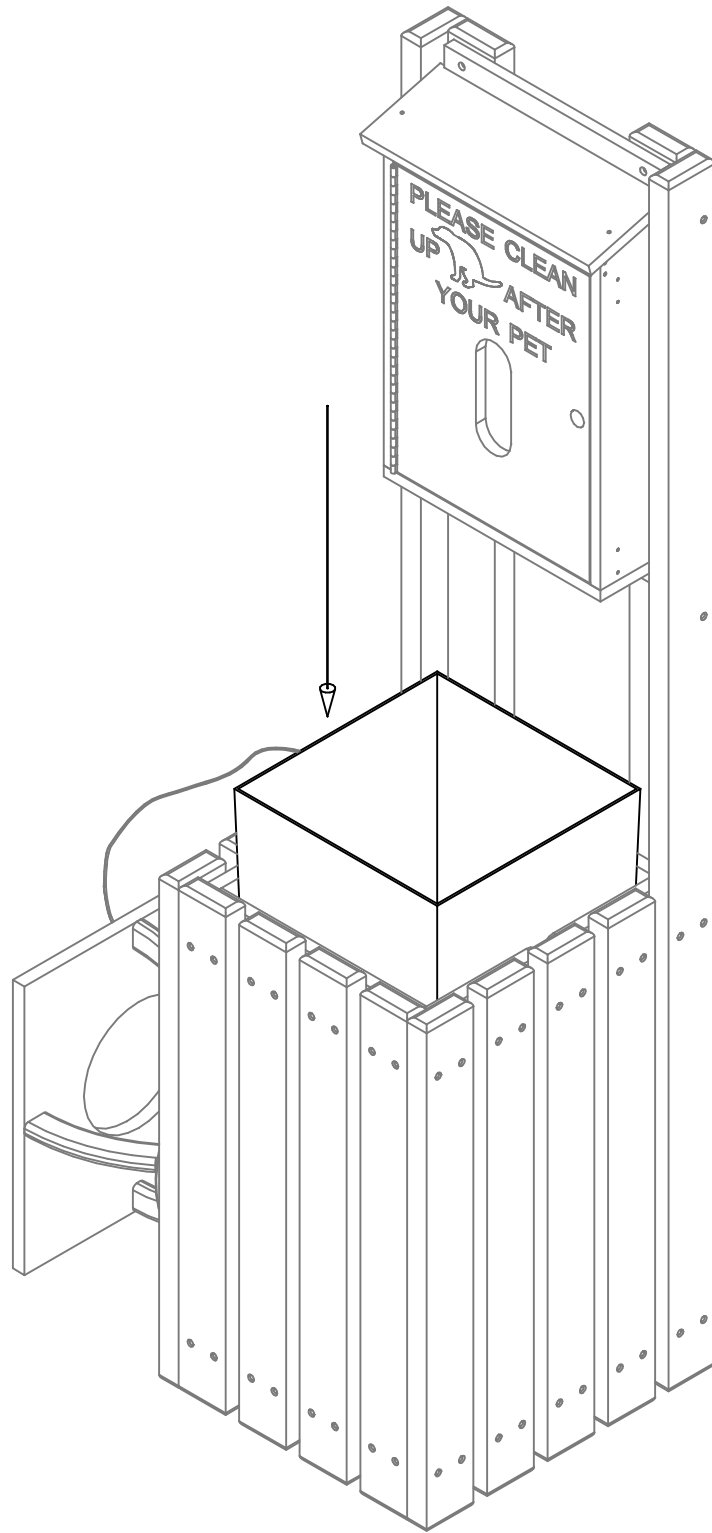
**DO NOT OVER-TIGHTEN SCREWS**



#### Step #4:

Place the Bag Holder in the trash receptacle, using (1) one 1/4" Flat Washer on each side of the pre-drilled holes, fasten with (1) one 1-1/2" Pan Head Phillips Screw into each of the pre-drilled pilot holes in the Side Boards. If you would like to take advantage of the attached lanyard, just make sure that the screw captures the hole in the lanyard. Otherwise, remove the screw holding the lanyard to the lid and re-secure the screw.

**DO NOT OVER-TIGHTEN SCREWS**



**Step #5:**

Slide the Receptacle Liner and the Rain Cap into place. To put the liner in the receptacle, slide it in through the top at a slight angle downwards. To place the Rain Cap on the receptacle, rest it on the inner ledge of the side walls.

DEAR VALUED CUSTOMER,

THANK YOU FOR PURCHASING THIS PRODUCT. THIS PRODUCT IS MANUFACTURED USING RECYCLED MATERIALS AND MAY HAVE SLIGHT COLOR VARIATIONS, OCCASIONAL SPECKS OF COLOR OR IRREGULAR SURFACE PATTERNS. THESE ARE NORMAL CONDITIONS OF RECYCLED PLASTICS AND MAKE EACH PIECE OF FURNITURE UNIQUE. THESE CHARACTERISTICS DO NOT AFFECT THE STRENGTH, QUALITY OR PERFORMANCE OF THE PRODUCT.

THANK YOU AGAIN FOR PURCHASING THIS PRODUCT AND HELPING OUR ENVIRONMENT.