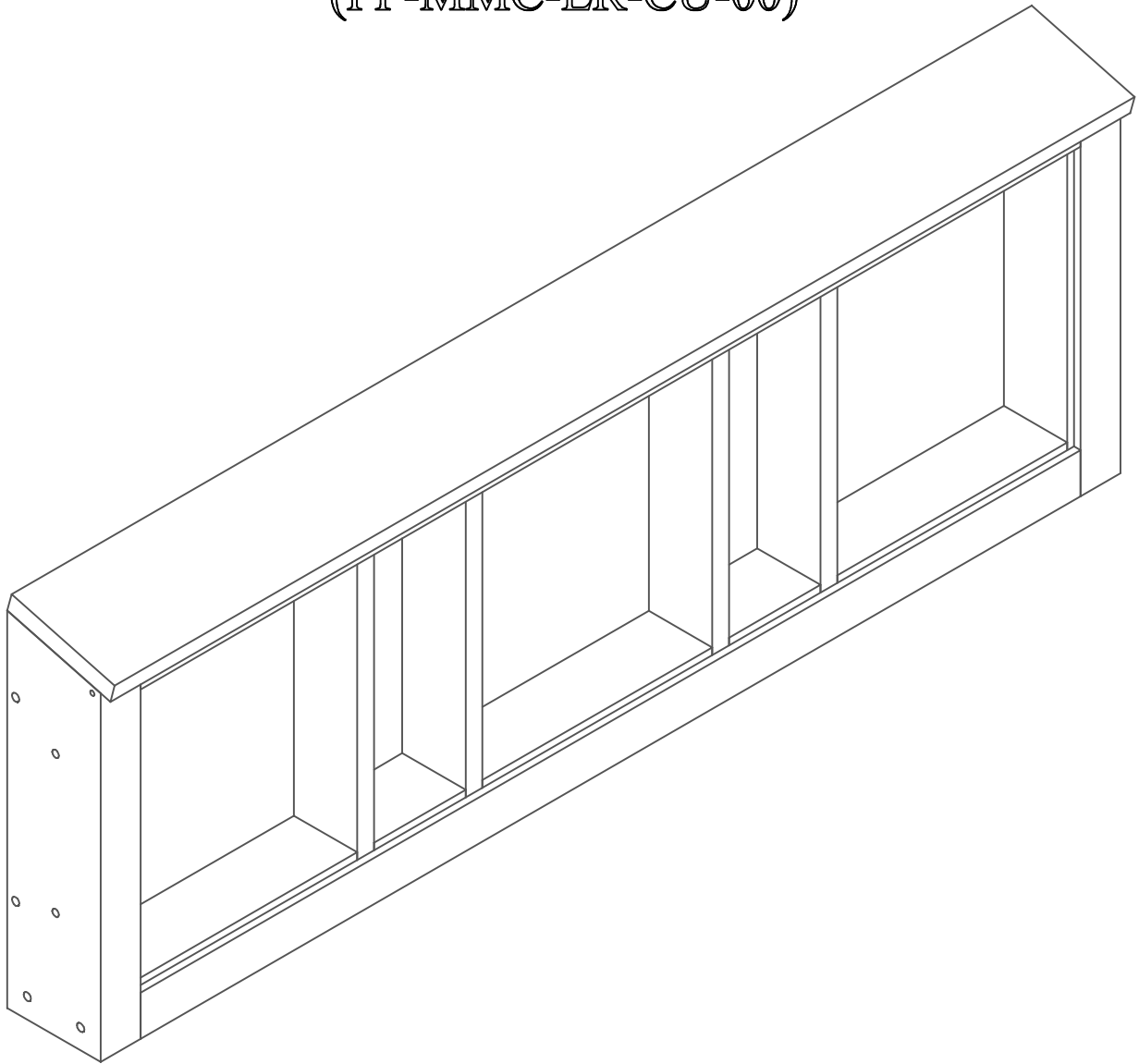


Medium Message Center Literature Rack

For Fastener Pack
(FP-MMC-LR-CU-00)

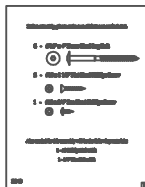


Congratulations !!

You have just purchased the finest recycled plastic
Literature Rack available. Enjoy !!!

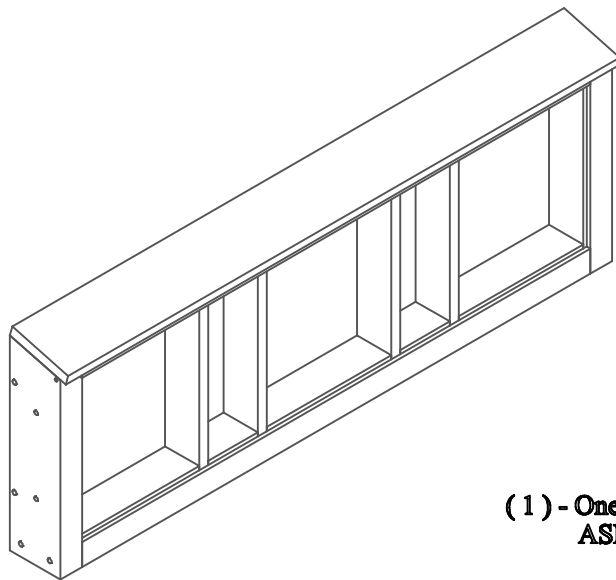
FS-MMC-LR-CA-00

Before assembly, please make sure all components are included.



**(1) - One Fastener Pack
FP-MMC-LR-CU-00**

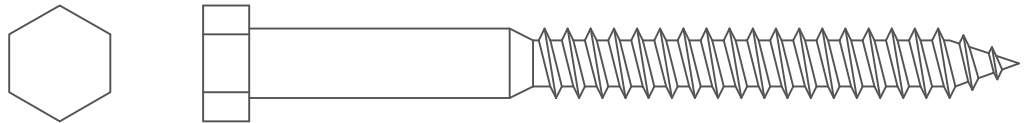
FP - Fastener Pack



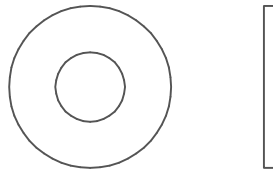
**(1) - One Medium Message Center Literature Rack
ASM-MMC-LR-00**

Before assembly, please make sure all fasteners are included.

4 - 3/8" x 4" Hex Head Lag Bolt



4 - 3/8" Flat Washer



Also needed for this assembly will be the following materials:

1 - 9/16" Socket Wrench



3/8" x 4" Hex Lag Bolt

3/8" Flat Washer

Align the pre drilled holes in the Posts with the pilot holes on the Literature Rack and fasten them together with (1) - one 3/8" Flat Washer & (1) - one 3/8"x 4" Hex Lag Bolt per aligned hole.