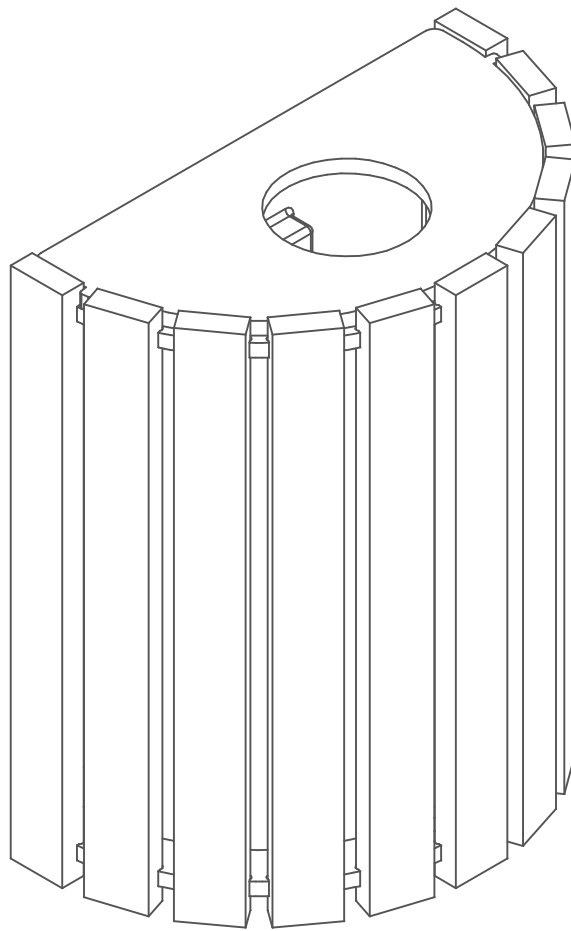


Half-Round Receptacle

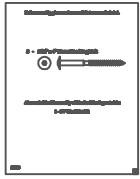
For Fastener Pack
(FP-HRTR-CU-00)



Congratulations !!

You have just purchased the finest recycled plastic
receptacle available. Enjoy !!!

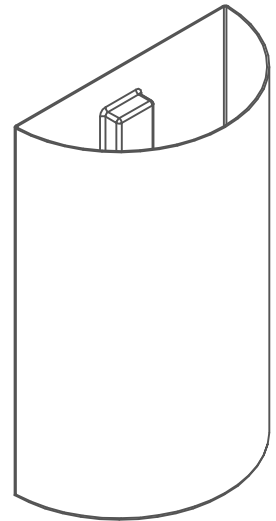
Before assembly, please make sure all components are included.



(1) - One Fastener Pack
FP-HRTR-CU-00

FP - Fastener Pack

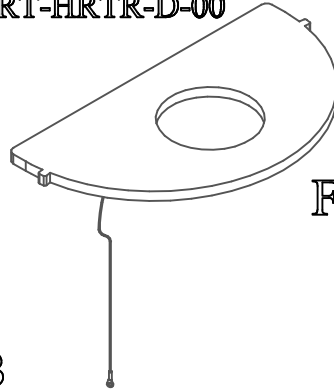
(1) - One - 14 gal. Liner
S7854-01-159



14 gal. Liner

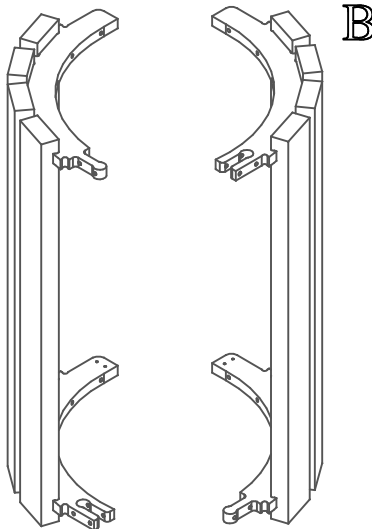
E

(1) - One Half-Round Lid with Lanyard
RT-HRTR-D-00



F

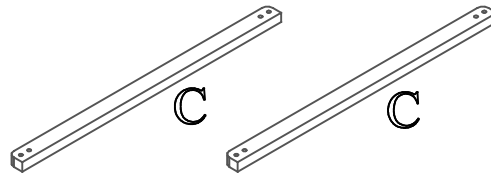
(2) - Two - 1/4 Panels
RTSA-HRTR-QP-00



A

B

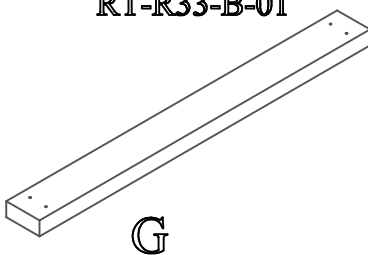
(2) - Two Half-Round Back Rail Support
RT-HRTR-A-00



C

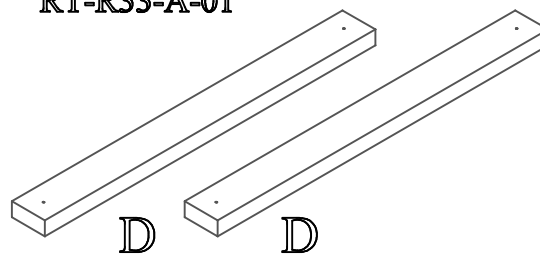
C

(1) - One Center Board
RT-R33-B-01



G

(2) - Two End Boards
RT-R33-A-01



D

D

Before assembly, please make sure all fasteners are included.

8 - #12 x 2 1/2" Pan Head Phillips Screw

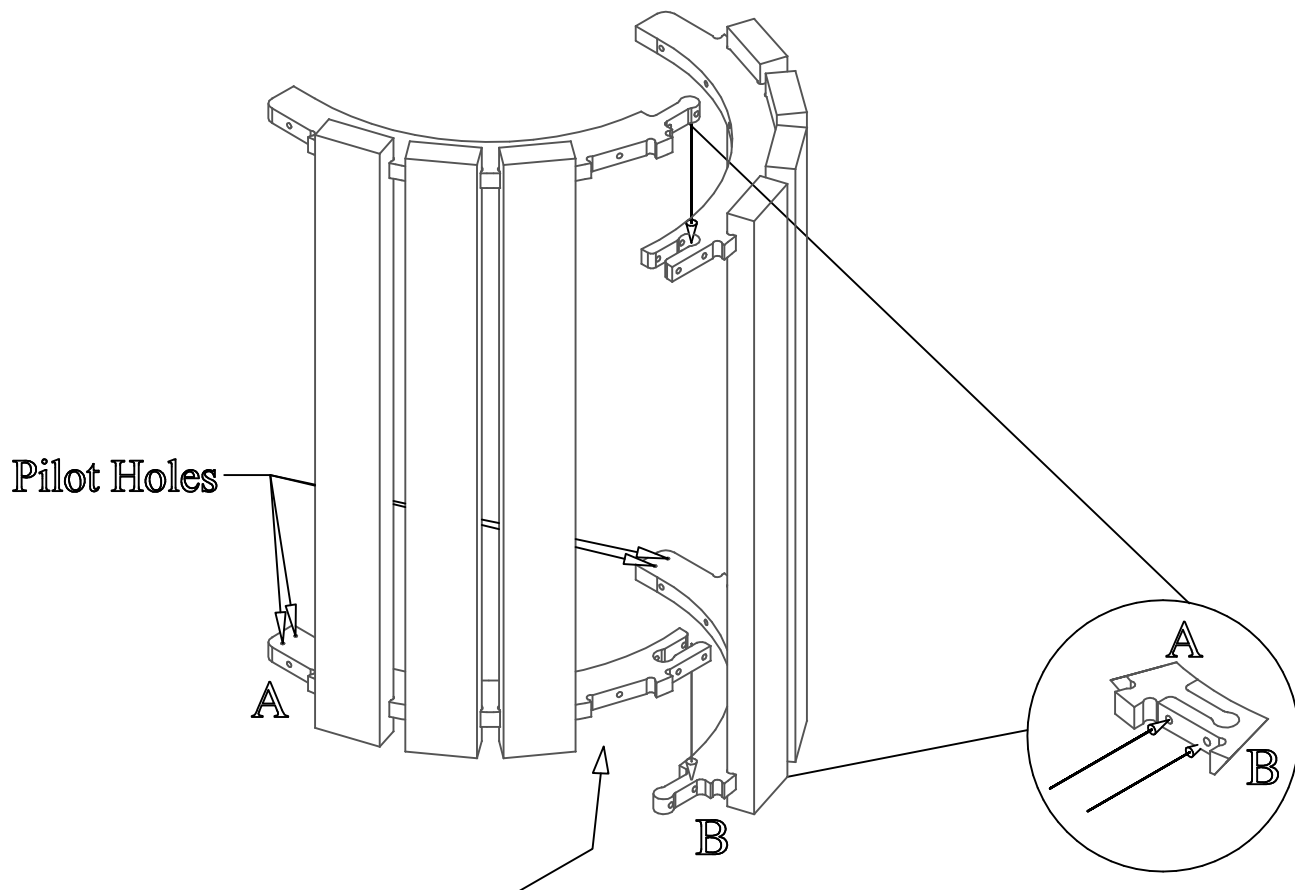


8 - #12 x 1 1/4" Flat Head Phillips Screw



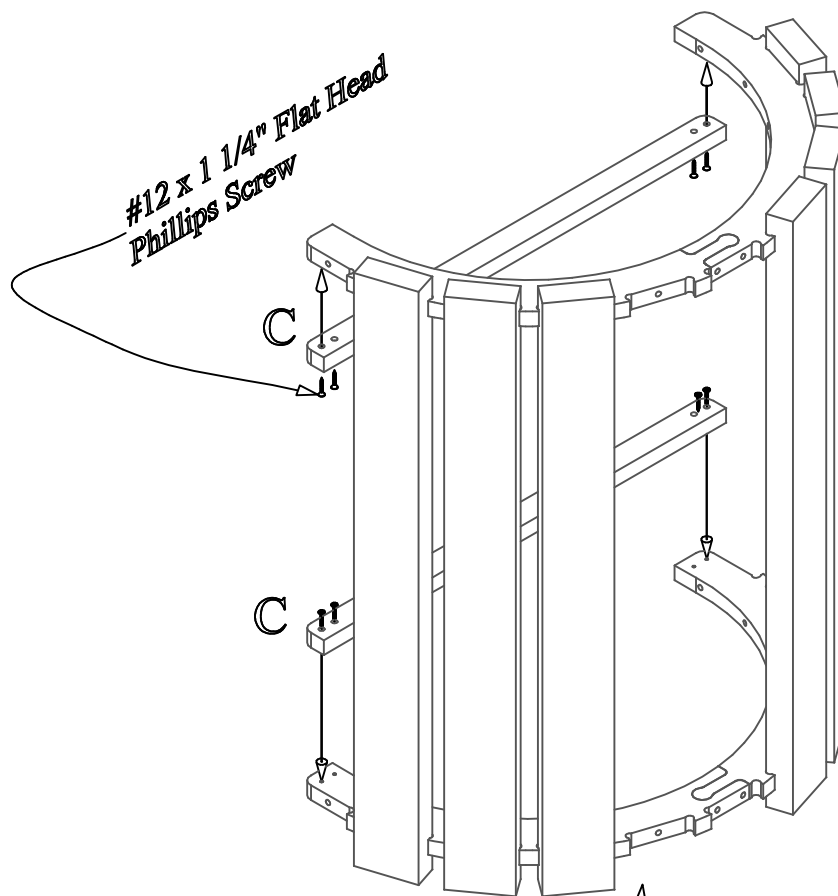
Also needed for this assembly will be the following materials:

1 - #3 Phillips Drive Bit



BOARD REMOVED TO ILLUSTRATE MORE CLEARLY
DO NOT REMOVE BOARD FOR THIS STEP!

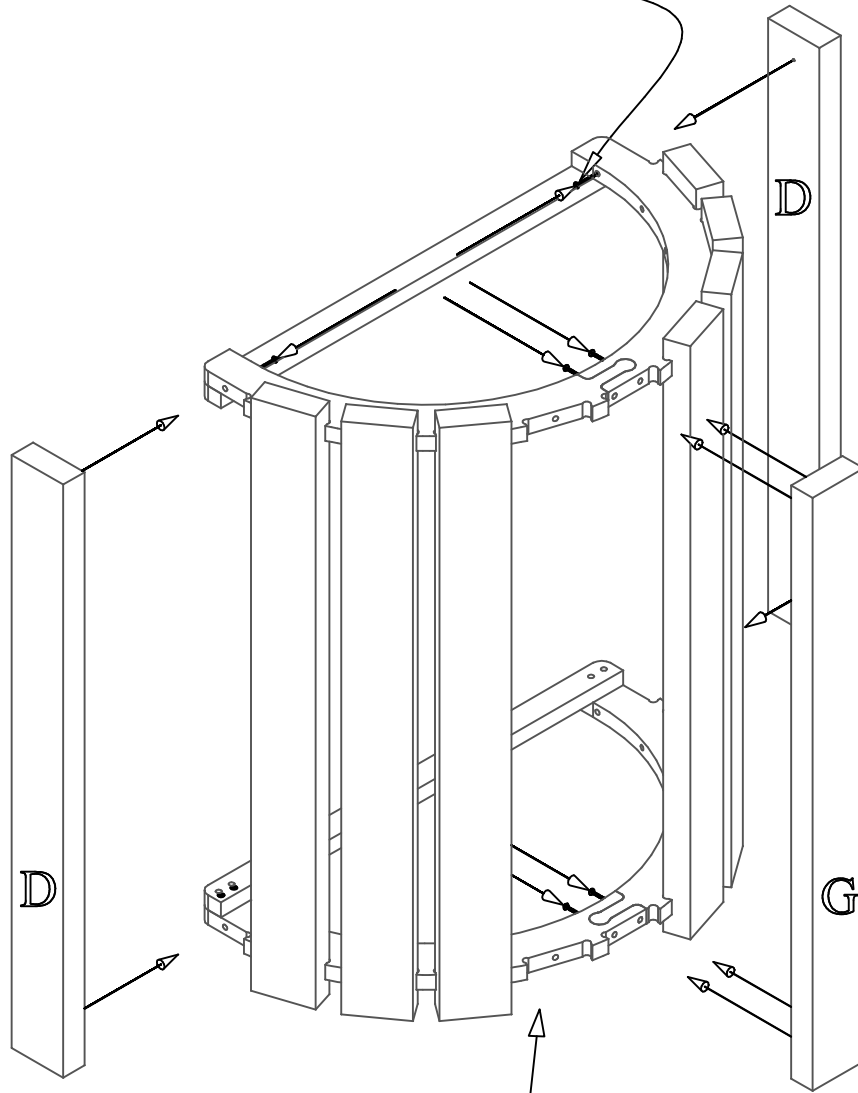
Step 1: Pay close attention to the drawing and the orientation of the panels and the location of the pilot holes in the drawing. Take Panel A and place it in the vertical position, align panel B with panel A in the vertical position making sure the panels are aligned on both the top and bottom rails simultaneously. Slide the rails in a downward motion until they are even. Make sure the holes in the rails are aligned.



BOARD REMOVED TO ILLUSTRATE MORE CLEARLY
DO NOT REMOVE BOARD FOR THIS STEP!

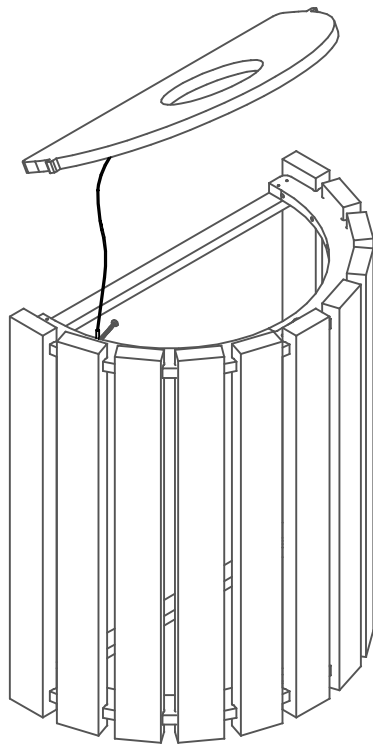
Step 2: Take both of the back rail supports (Part C) and attach one on the bottom of the top rail and one on the top of the bottom rail. Make sure to align the holes in the rail support with the pilot holes on the rail. Use (1) - One #12 x 1 1/4" Flat Head Phillips Screw per aligned hole.

#12 x 2 1/2" Pan Head
Phillips Screw



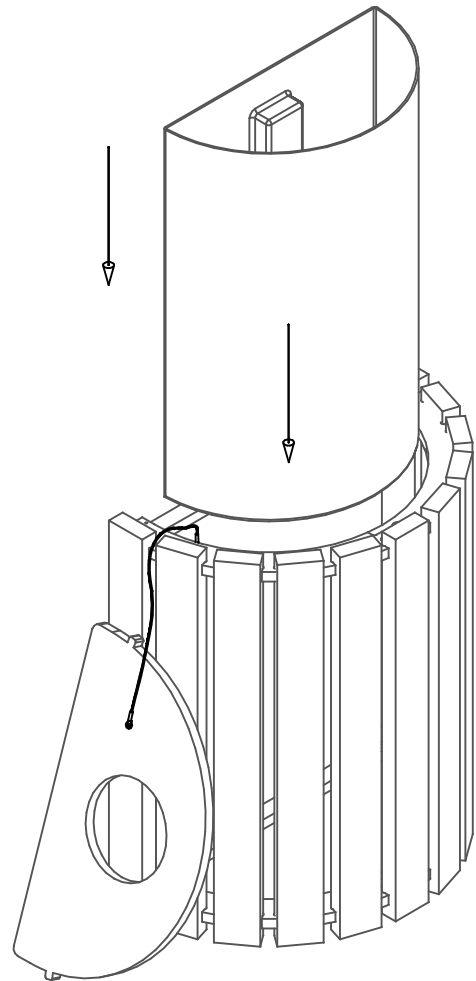
BOARD REMOVED TO ILLUSTRATE MORE CLEARLY
DO NOT REMOVE BOARD FOR THIS STEP!

Step 3: Place board G and boards D in the proper alignment with the top and bottom rails carefully aligning the holes in the rails with the pilot holes in boards G and D. Once you have the holes aligned insert (1) - One #12 x 2 1/2"- Pan Head Phillips Screw per aligned hole. Make sure the screws are all the way in and tight on the top rail. Once you have gone all the way around the top rail, flip the receptacle up side-down-and repeat the previous steps to complete the bottom rail. (Note: Please be careful to not over tighten the screws.)



Step 4: If you would like to take advantage of the supplied Lid Lanyard, just remove the desired screw from the top rail and re-secure it with the lanyard attached. Just remove the screw in the lid if you would like to forgo the use of the Lid Lanyard.

Step 5: Finally, put the liner in the receptacle as shown and place the lid on the top rail with the lanyard on the underside (if attached).



DEAR VALUED CUSTOMER,

THANK YOU FOR PURCHASING THIS PRODUCT. THIS PRODUCT IS MANUFACTURED USING RECYCLED MATERIALS AND MAY HAVE SLIGHT COLOR VARIATIONS, OCCASIONAL SPECKS OF COLOR OR IRREGULAR SURFACE PATTERNS. THESE ARE NORMAL CONDITIONS OF RECYCLED PLASTICS AND MAKE EACH PIECE OF FURNITURE UNIQUE. THESE CHARACTERISTICS DO NOT AFFECT THE STRENGTH, QUALITY OR PERFORMANCE OF THE PRODUCT.

THANK YOU AGAIN FOR PURCHASING THIS PRODUCT AND HELPING OUR ENVIRONMENT.