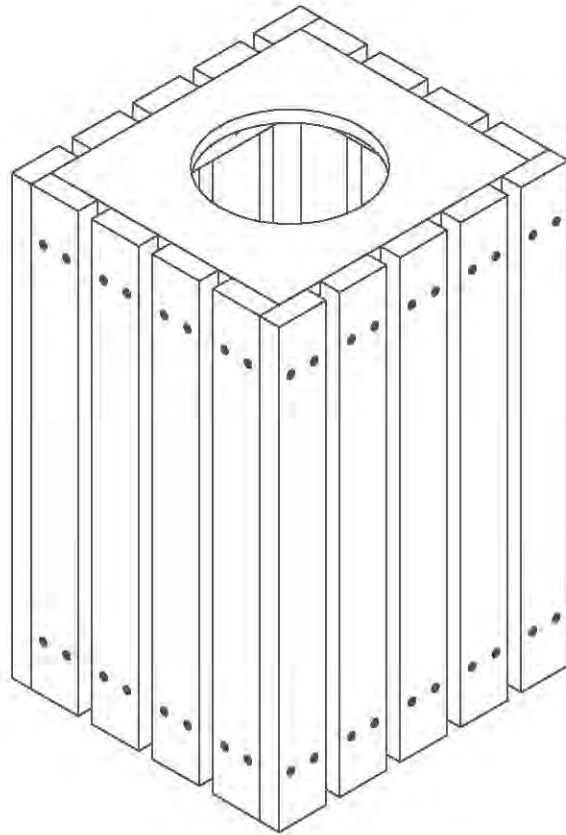


22 Gallon Econo-Mizer Trash Receptacle

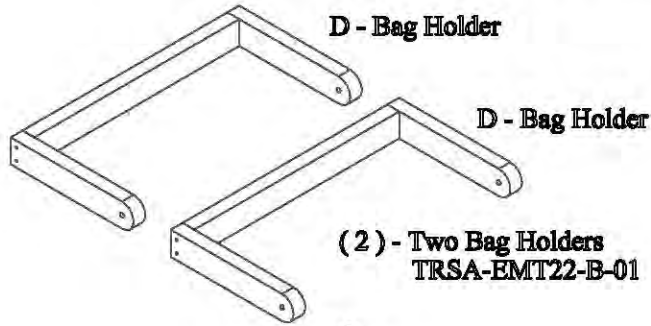
For Fastener Pack
(FP-EMT22-CU-01)



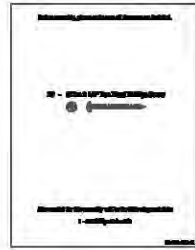
Congratulations !!

You have just purchased the finest recycled plastic
trash receptacle available. Enjoy !!!

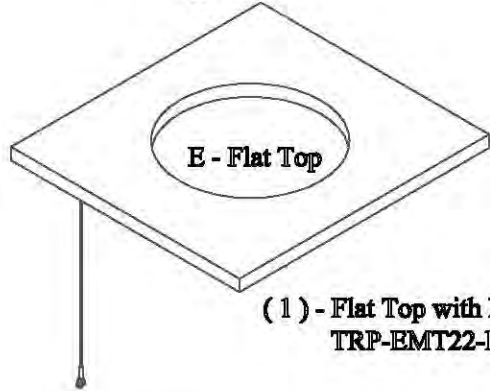
Before assembly, please make sure all components are included.



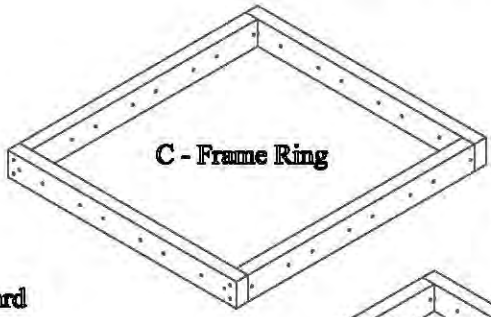
D - Bag Holder
D - Bag Holder
(2) - Two Bag Holders
TRSA-EMT22-B-01



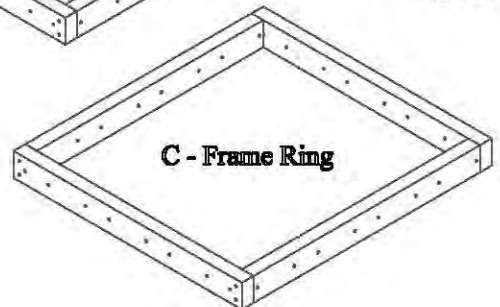
(1) - One Fastener Pack
FP-EMT22-CU-01
FP - Fastener Pack



E - Flat Top
(1) - Flat Top with Lanyard
TRP-EMT22-H-01



C - Frame Ring
(2) - Two Frame Rings
TRSA-EMT22-A-01



C - Frame Ring

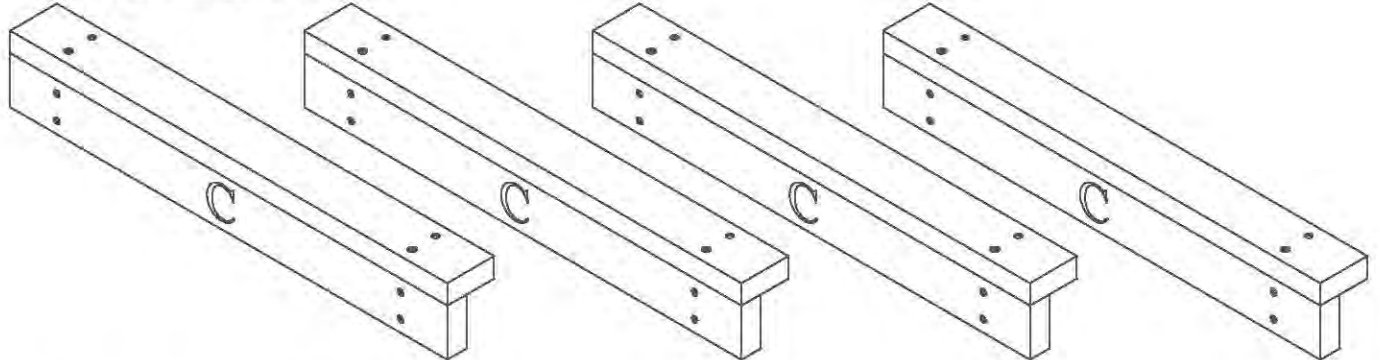
⋅	⋅	B	Side Board w/ Pilot Holes	⋅	⋅
⋅	⋅	B	Side Board w/ Pilot Holes	⋅	⋅

(2) - Two Side Boards w/ Pilot Holes for Bag Holder
TRP-EMT22-B-01

⋅	⋅	A	Side Board	⋅	⋅
⋅	⋅	A	Side Board	⋅	⋅
⋅	⋅	A	Side Board	⋅	⋅
⋅	⋅	A	Side Board	⋅	⋅

⋅	⋅	A	Side Board	⋅	⋅
⋅	⋅	A	Side Board	⋅	⋅
⋅	⋅	A	Side Board	⋅	⋅
⋅	⋅	A	Side Board	⋅	⋅

(8) - Eight Side Boards
TRP-EMT22-A-01



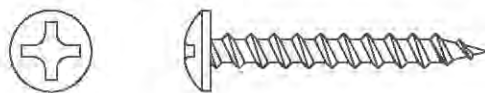
(4) - Four Corner Sub-Assemblies
TRSA-EMT22-C-01

Before assembly, please make sure all fasteners are included.

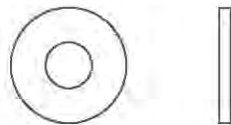
64 - #12 x 1-3/4" Flat Head Phillips Screw



4 - #12 x 1-1/2" Pan Head Phillips Screw



8 - 1/4" Flat Washer

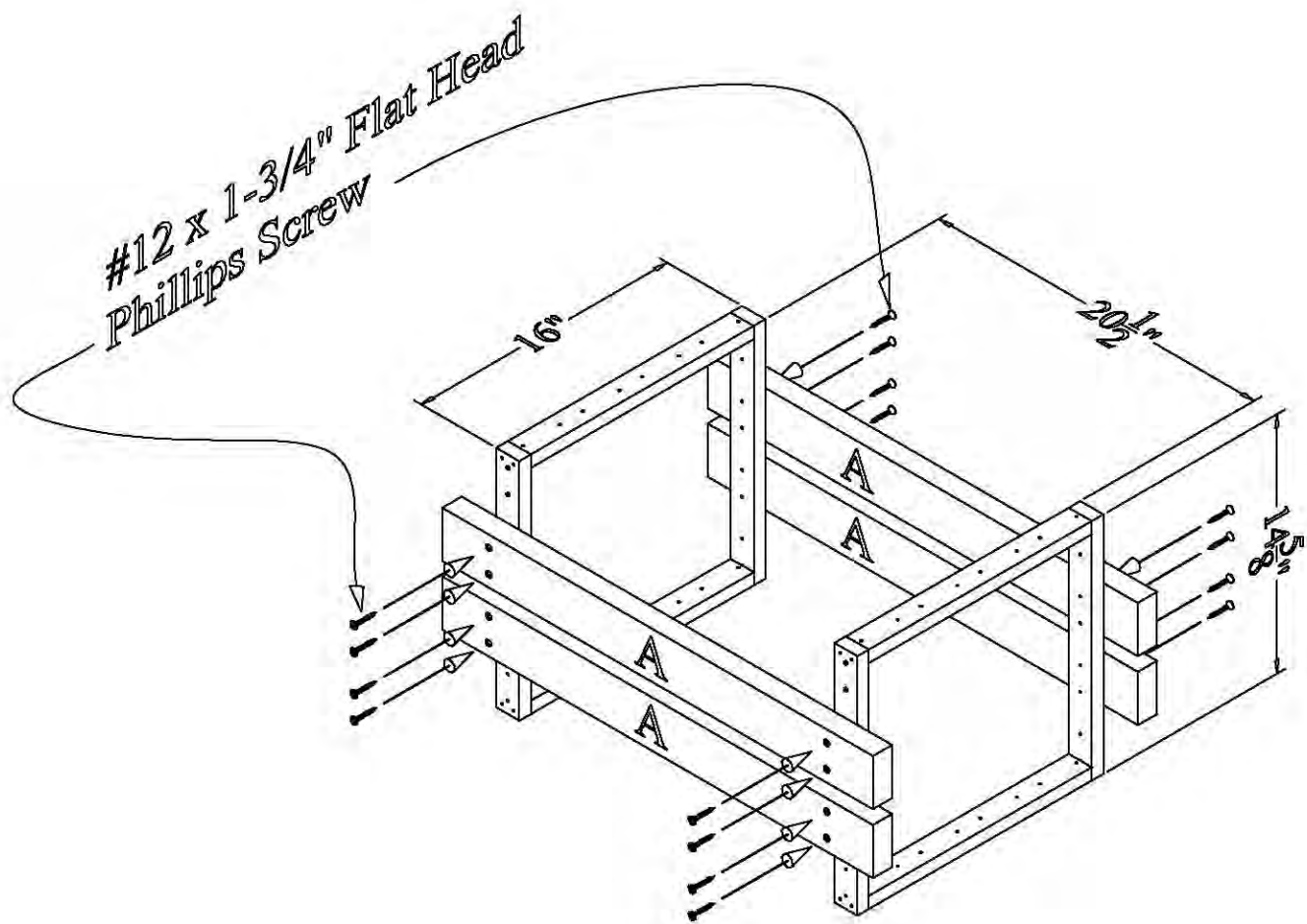


Also needed for this assembly will be the following materials:

1 - #3 Phillips Drive Bit

***IMPORTANT NOTICE*:**

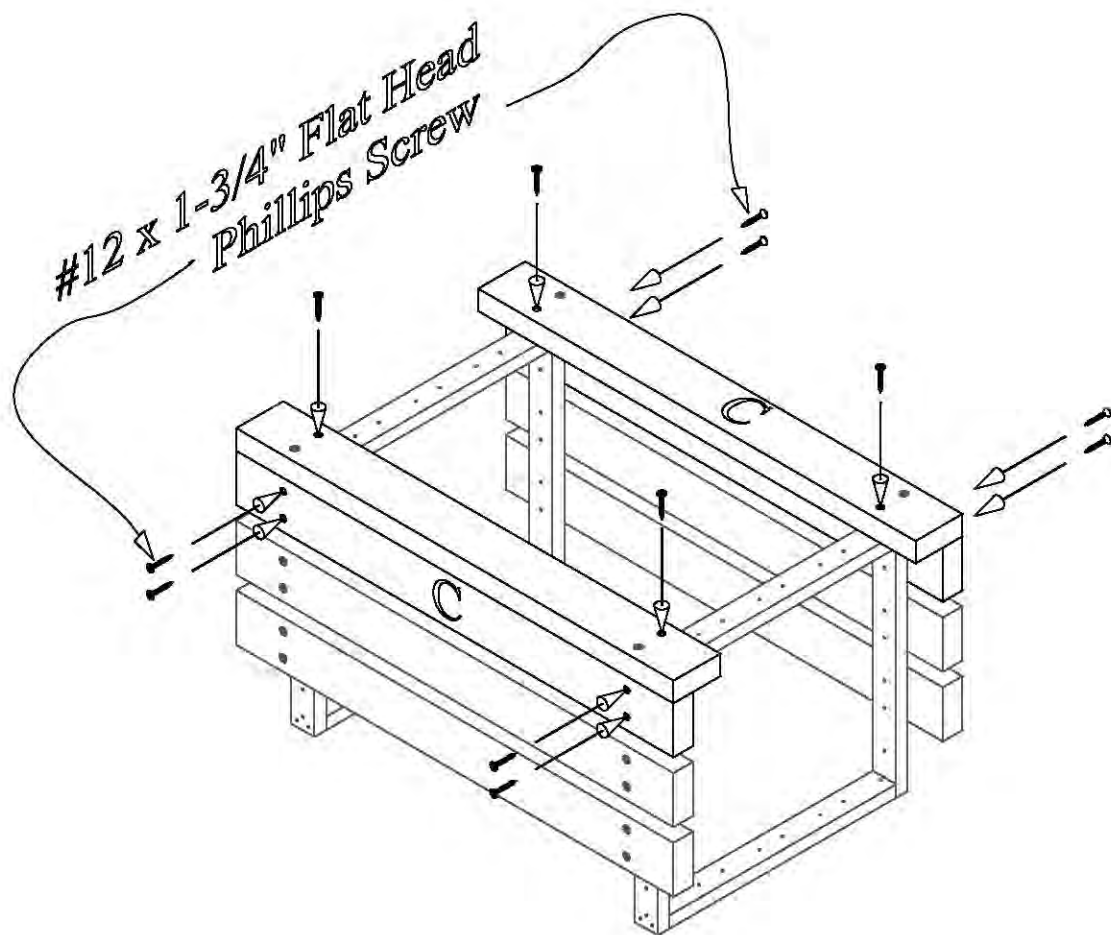
- * DO NOT OVER-TIGHTEN SCREWS.
- * USE A DRILL WITH ADJUSTABLE TORQUE FOR BEST RESULTS.
- * OVER-TIGHTENING WILL RESULT IN STRIPPING OUT THE PILOT HOLE, AND SCREW WILL "SINK" INTO THE PLASTIC WHICH MAY CAUSE A STRESS FRACTURE.



Step #1:

Place the (2) two Frame Rings on edge with the long edge on a flat surface as shown in the diagram above. One at a time, place (4) four Side Boards (A) in position making sure the holes line up with the pre-drilled pilot holes in the Frame Rings. There should be two pilot holes left open on the top and bottom. Fasten using (1) one #12 x 1-3/4" Flat Head Phillips Screw per hole.

DO NOT OVER-TIGHTEN SCREWS



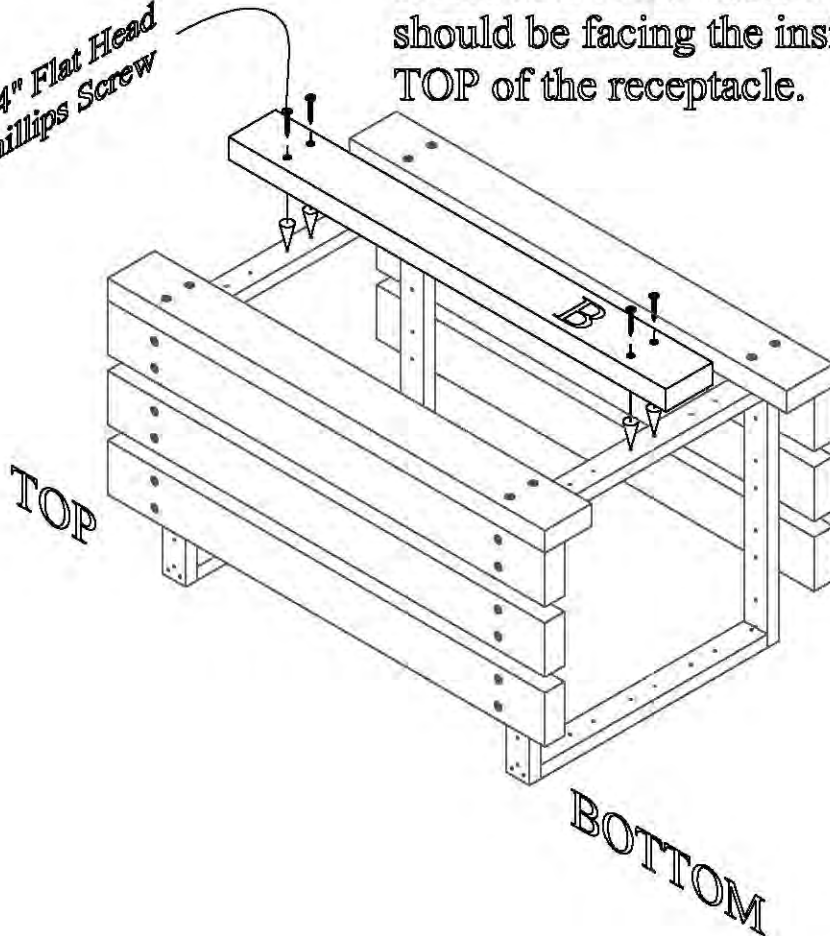
Step #2:

Place two of the Corner Sub-Assemblies (C) in the corners as shown making sure to line up with the pilot holes in the frame rings. Secure with (1) one #12 x 1-3/4" Flat Head Phillips Screw per hole.

DO NOT OVER-TIGHTEN SCREWS

#12 x 1-3/4" Flat Head
Phillips Screw

Note: The Pilot Holes in board (B)
should be facing the inside and on the
TOP of the receptacle.



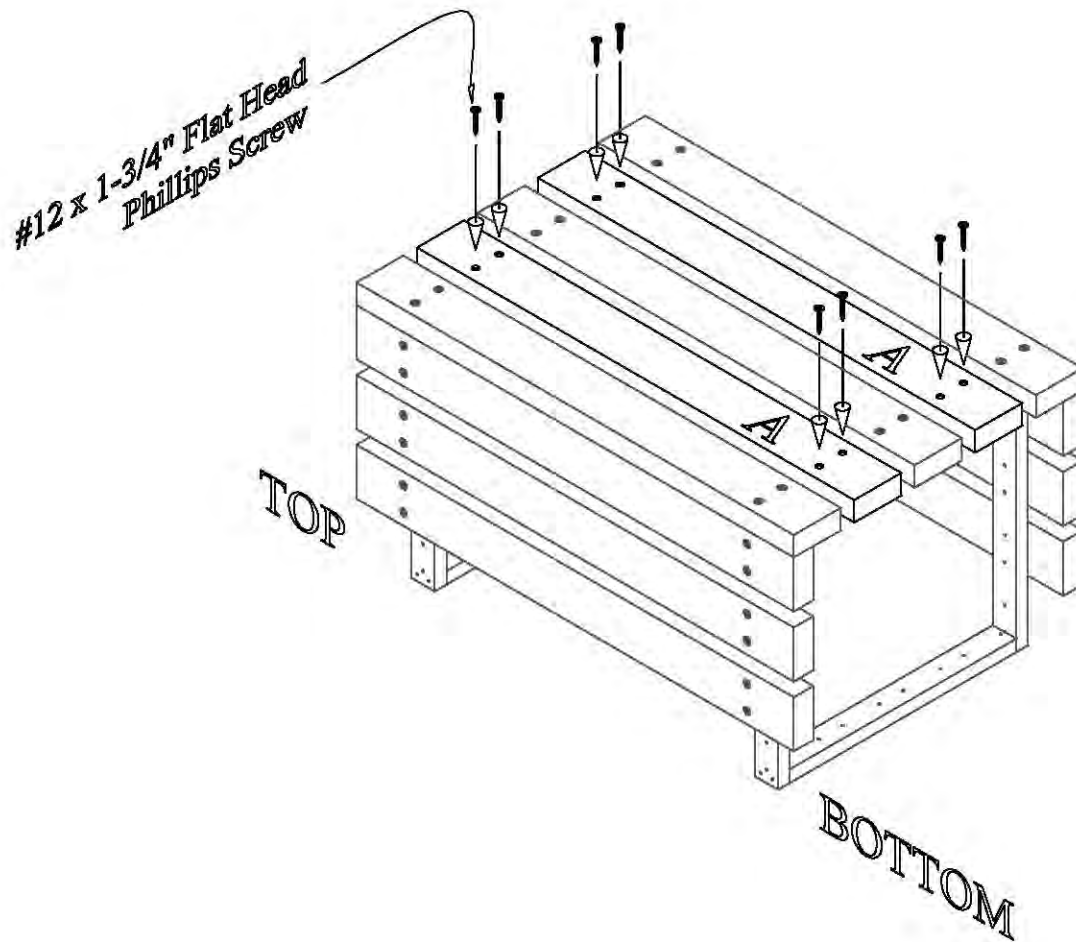
Step #3:

Place (1) one Side Board w/ Pilot Holes (B) in the center position making sure the holes line up with the pre-drilled pilot holes in the Frame Rings. Fasten using (1) one #12 x 1-3/4" Flat Head Phillips Screw per hole.

DO NOT OVER-TIGHTEN SCREWS

Step #4:

One at a time, place (2) two Side Boards (A) in position making sure the holes line up with the pre-drilled pilot holes in the Frame Rings. Fasten using (1) one 1-3/4" Flat Head Phillips Screw per hole.



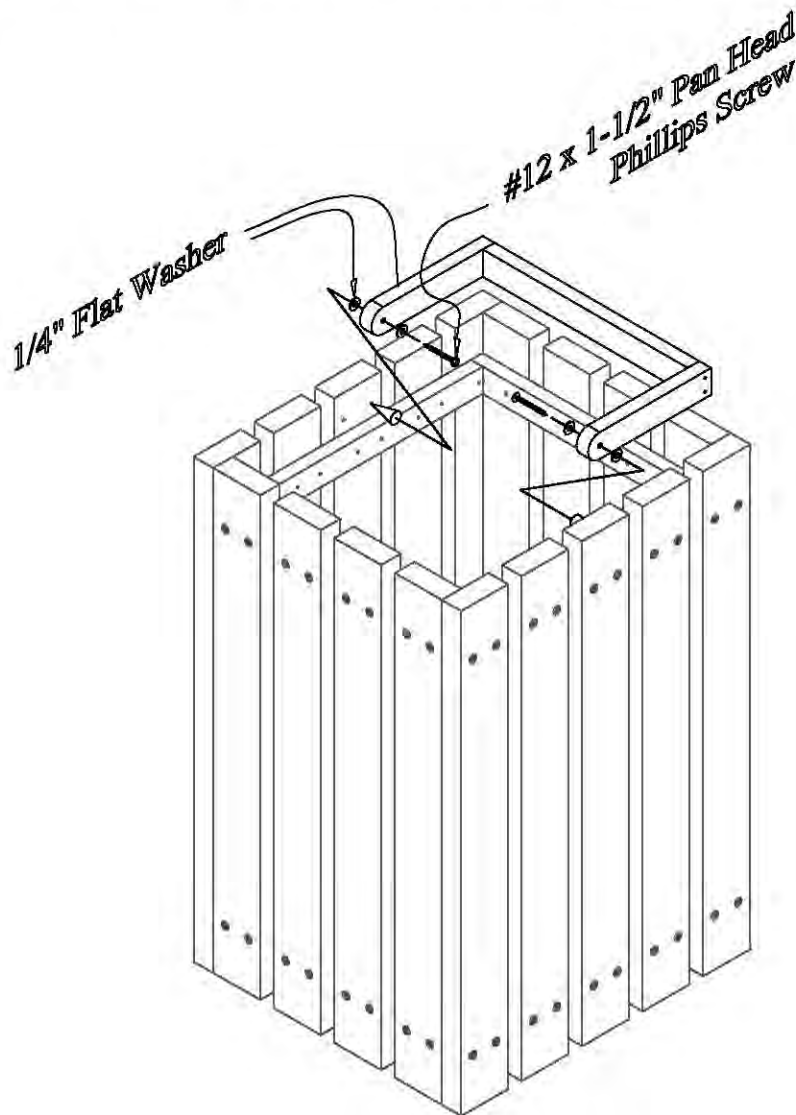
Step #5:

Repeat Step #2 thru #4 for the opposite side.

DO NOT OVER-TIGHTEN SCREWS

Step #6:

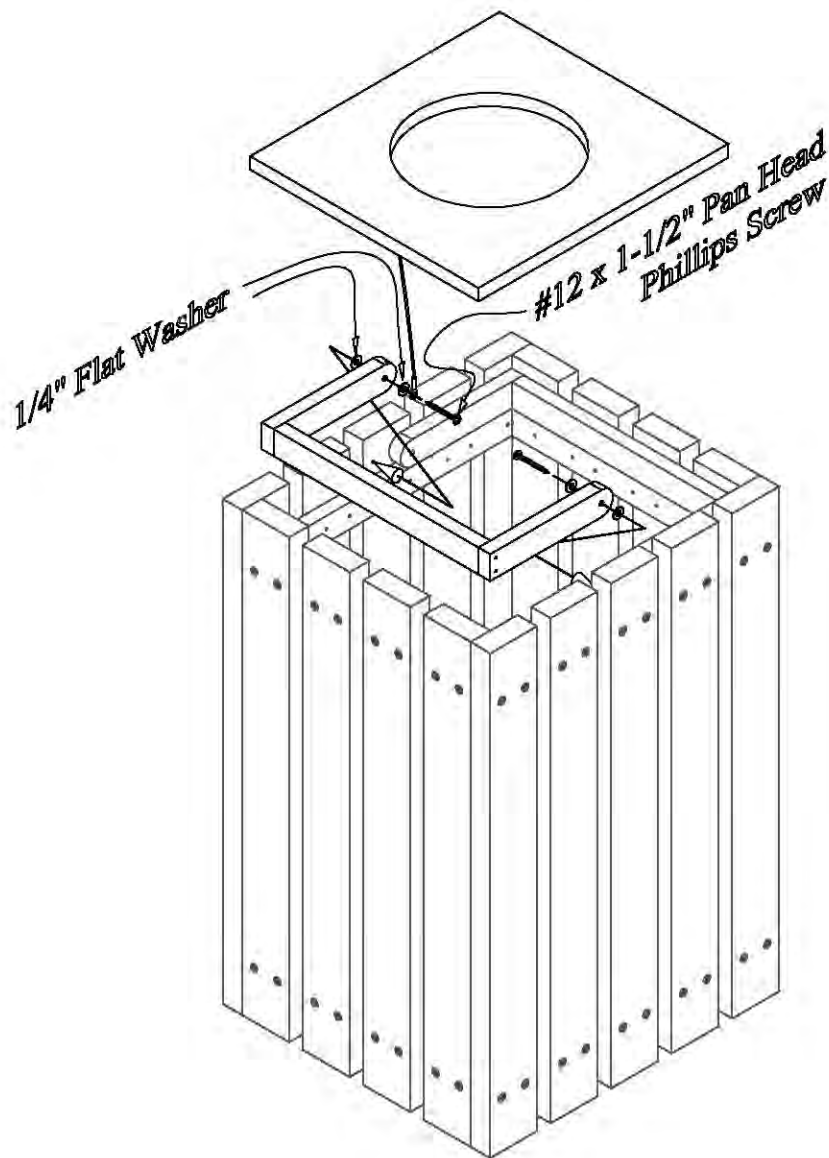
Turn the trash receptacle upright onto its base. Please use caution while moving. At this point in assembly the receptacle will weigh approximately 66 pounds.



Step #7:

Place the Bag Holder in the trash receptacle, using (1) one 1/4" Flat Washer on each side of the pre-drilled holes, fasten with (1) one 1-1/2" Pan Head Phillips Screw in to each pre-drilled pilot holes in the Side Boards.

DO NOT OVER-TIGHTEN SCREWS



Step #8:

Repeat step #7 making sure to capture the lanyard attached to the top with one of the screws for attaching the bag holder. If you would not like to keep the lanyard, simply remove the screw attaching it to the Flat Top. To place the lid on the receptacle, rest it on the upper frame ring.

DEAR VALUED CUSTOMER,

THANK YOU FOR PURCHASING THIS PRODUCT. THIS PRODUCT IS MANUFACTURED USING RECYCLED MATERIALS AND MAY HAVE SLIGHT COLOR VARIATIONS, OCCASIONAL SPECKS OF COLOR OR IRREGULAR SURFACE PATTERNS. THESE ARE NORMAL CONDITIONS OF RECYCLED PLASTICS AND MAKE EACH PIECE OF FURNITURE UNIQUE. THESE CHARACTERISTICS DO NOT AFFECT THE STRENGTH, QUALITY OR PERFORMANCE OF THE PRODUCT.

THANK YOU AGAIN FOR PURCHASING THIS PRODUCT AND HELPING OUR ENVIRONMENT.