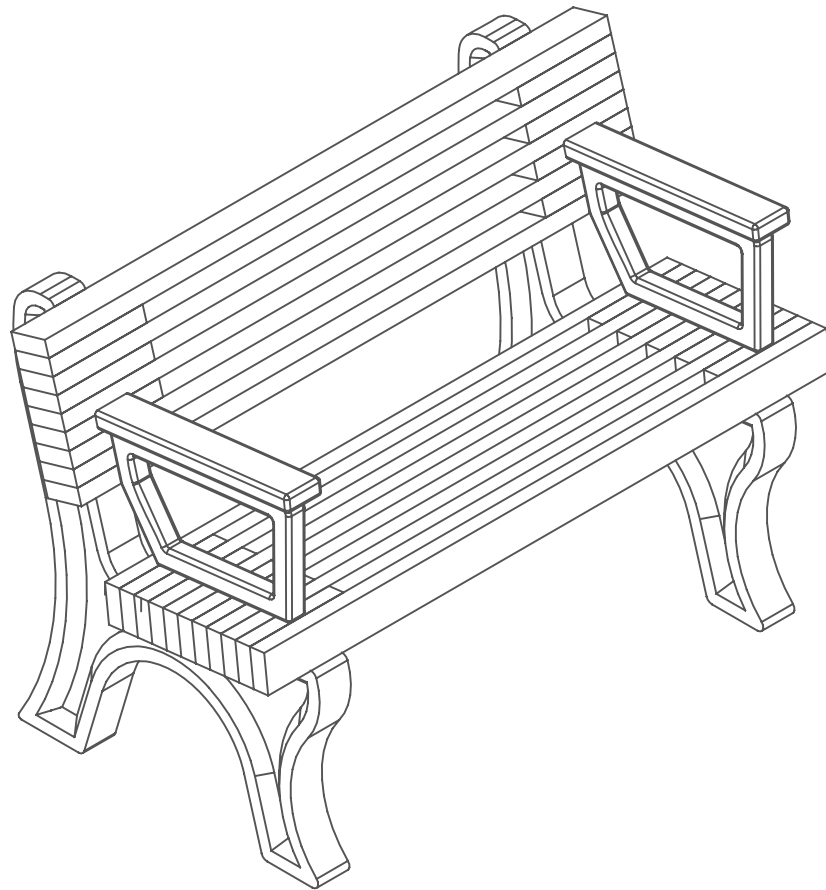


# 4 Foot Elite Park Bench w/ Arms

For Fastener Pack  
(FP-EB4BA-CU-02)



Congratulations !!

You have just purchased the finest recycled plastic  
park bench available. Enjoy !!!

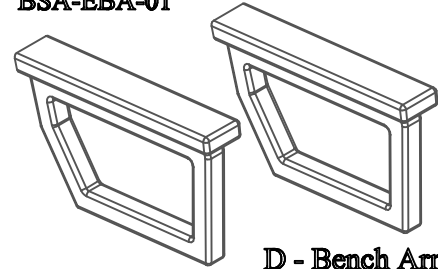
Before assembly, please make sure all components are included.



FP - Fastener Pack

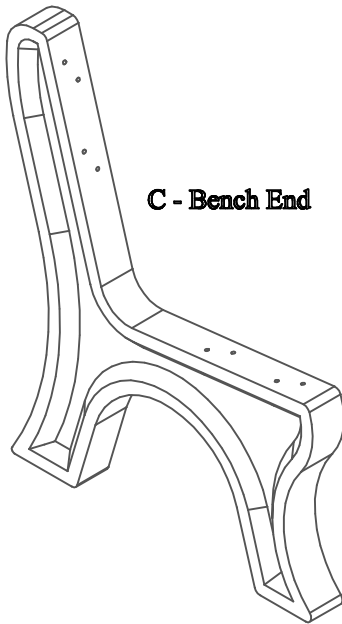
(1) - One Fastener Pack  
FP-EB4BA-CU-02

(2) - Two Bench Arms  
BSA-EBA-01

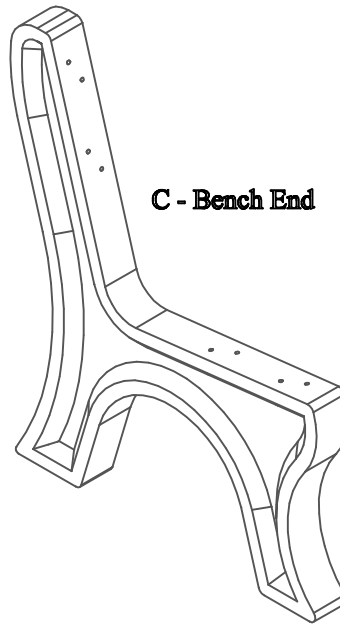


D - Bench Arm

D - Bench Arm

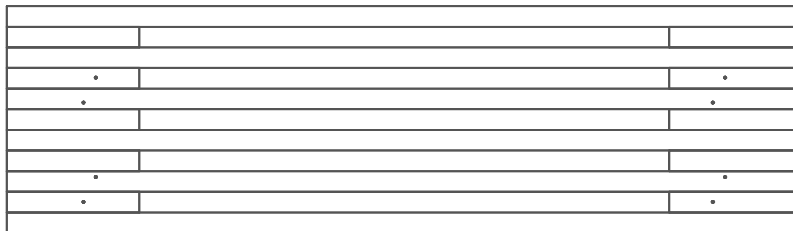


C - Bench End



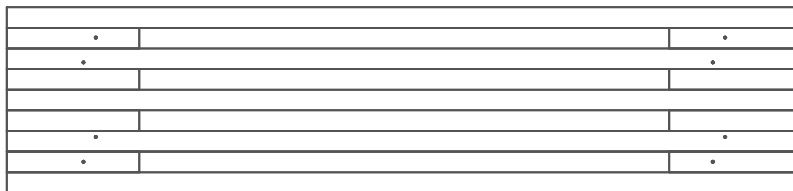
C - Bench End

(2) - Two Bench Ends  
PS-SBBE-EB-01



A - Seat Bench Board

(1) - One Seat Bench Board  
BSA-EB4BA-A-02



B - Back Bench Board

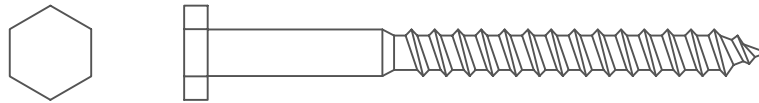
(1) - One Back Bench Board  
BSA-EB4BA-B-02

Before assembly, please make sure all fasteners are included.

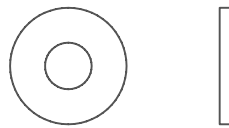
16 - #12 x 3" Flat Head Phillips Screw



6 - 1/4" x 3" Hex Head Lag Bolt



6 - 1/4" Flat Washer



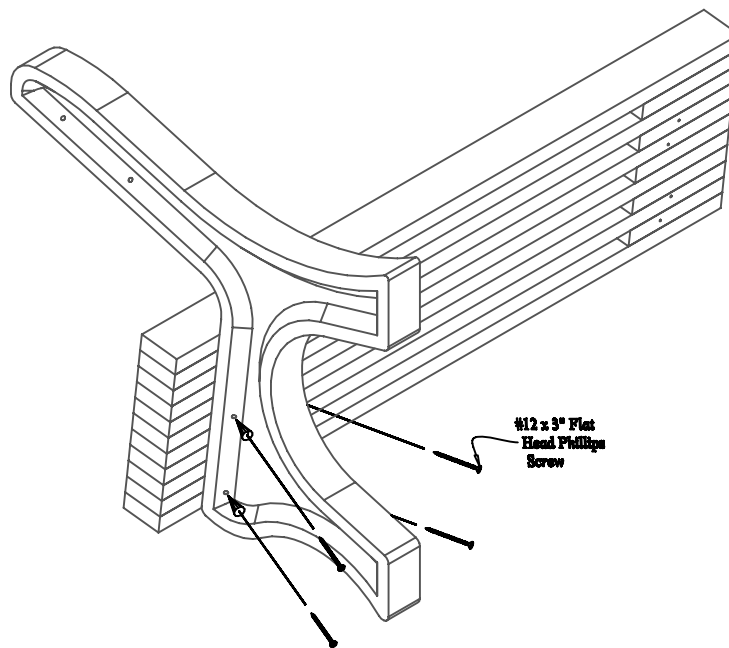
Also needed for this assembly will be the following materials:

1 - #3 Phillips Drive Bit

1 - 7/16" Socket Wrench

### Step #1:

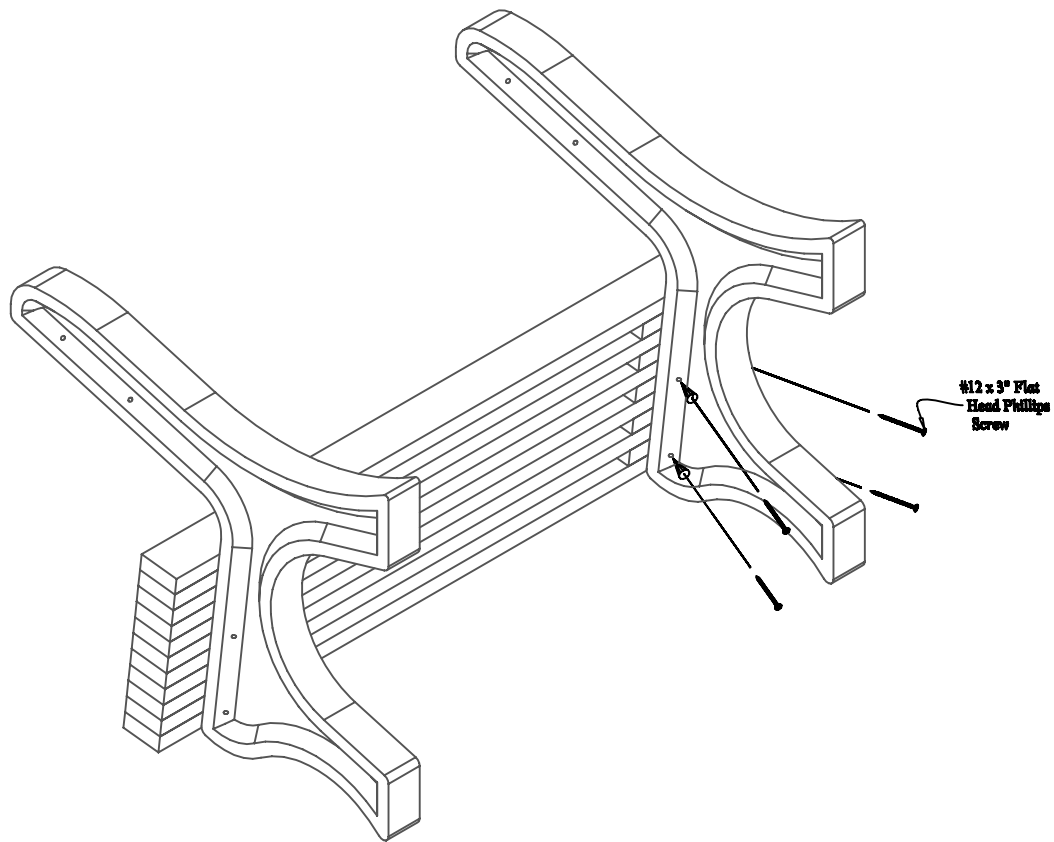
On the cardboard that the bench was shipped in stand the Seat Bench Board on edge with the pilot holes closer to the ground, on a level surface.



### Step #2:

Place in position (1) One bench end as shown in diagram being sure to align the pilot holes to the pre-drilled holes in the bench end. After the holes are properly aligned, fasten with (1) One #12 x 3" Flat Head Phillips Screw per hole.

Note: Do not tighten screw completely. This will be done in a later step.

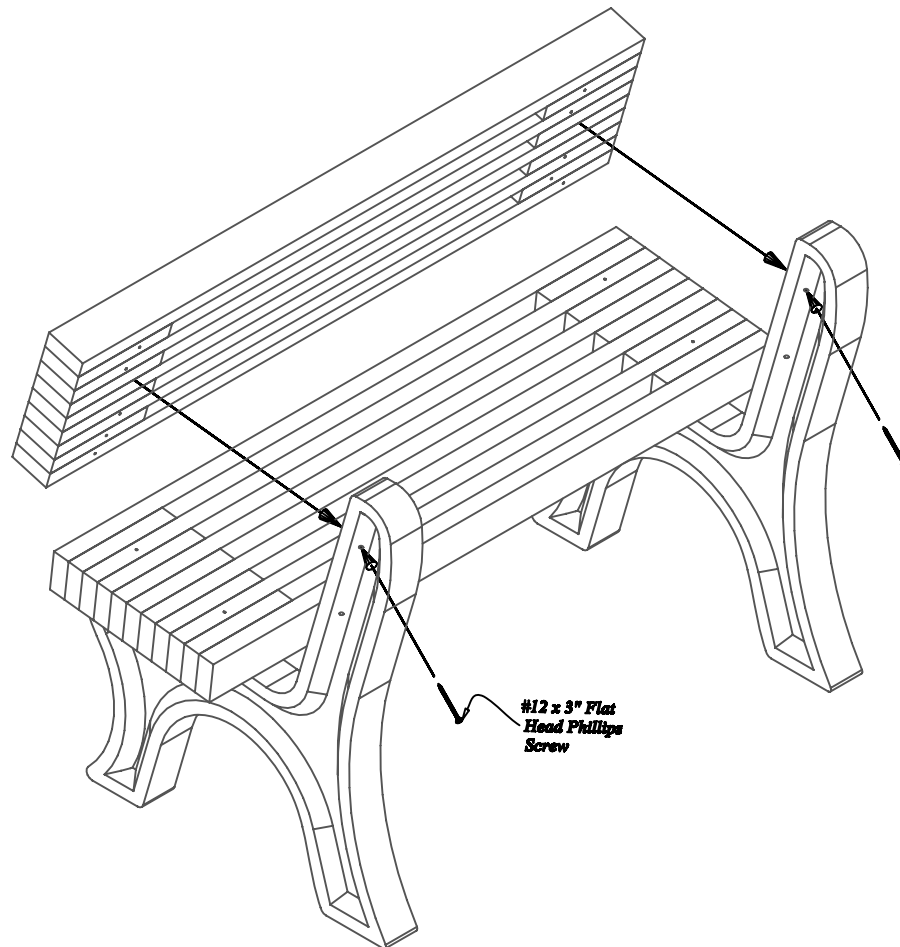


**Step #3:**  
Repeat step #2 for the remaining bench end.

**Note:** Be sure to tighten all screws completely after this step.

#### Step #4

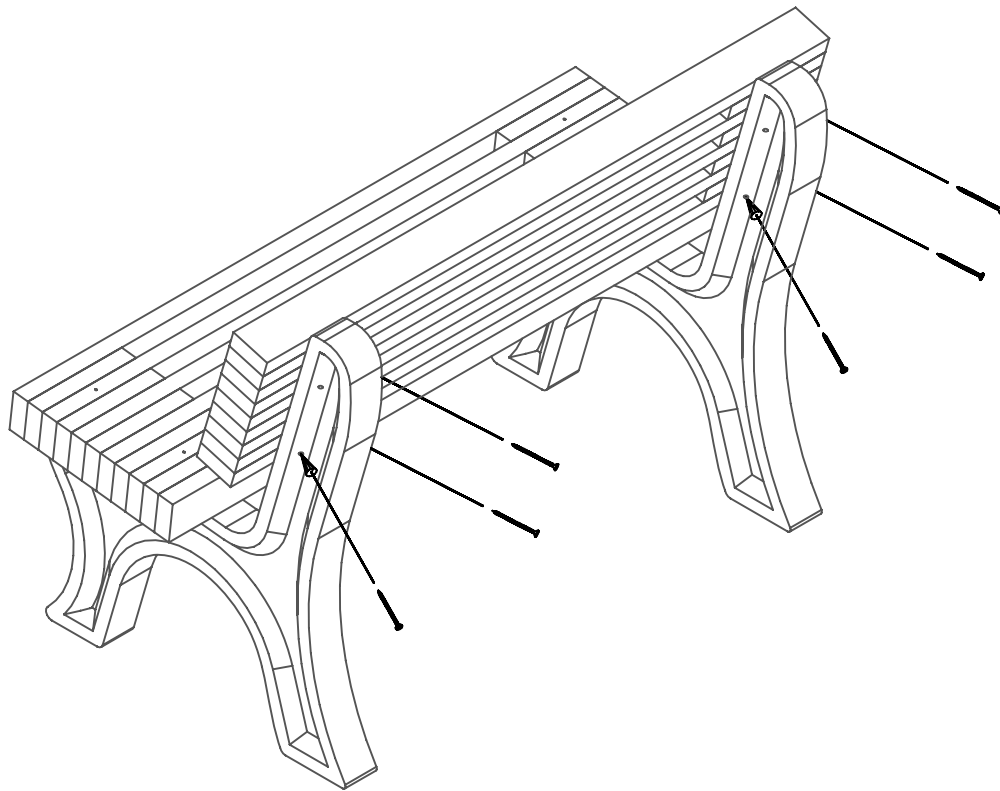
Place the bench in the up right position. Use care, as the bench weighs approximately 150 pounds.



#### Step #5:

Place the Back Bench Board in position shown in diagram. Use (1) One #12 x 3" Flat Head Phillips Screw in the top hole of the left bench end. Repeat for the right bench end.

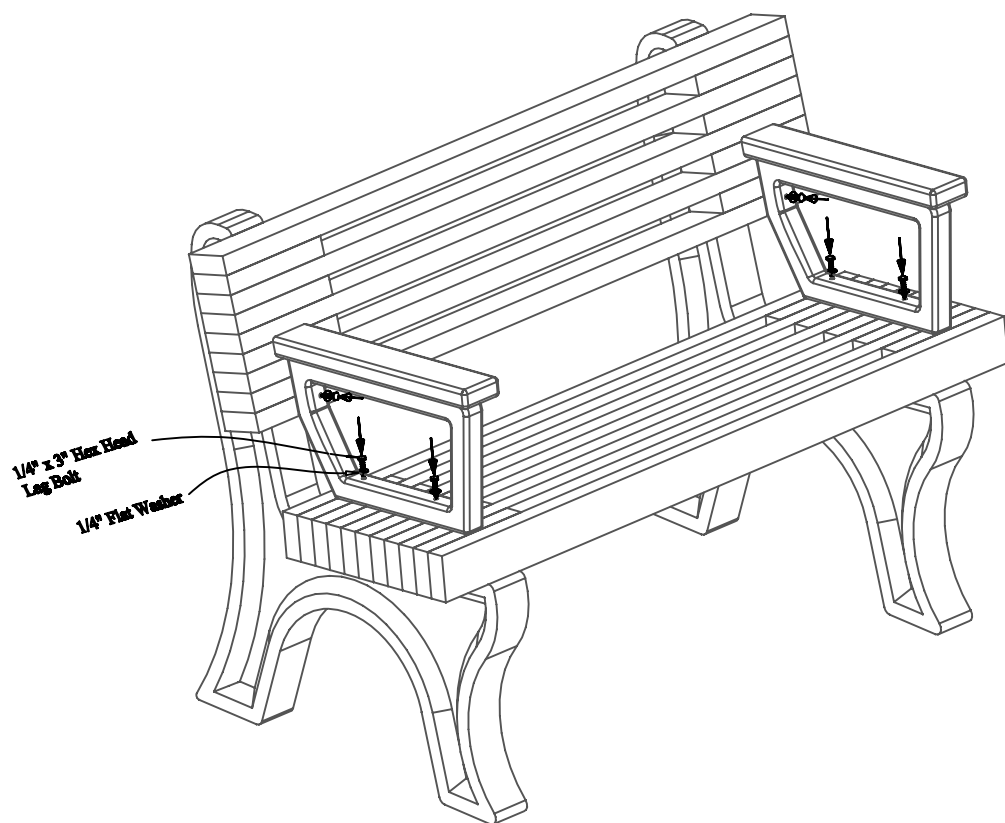
Note: Do not tighten screws completely. This will be done in a later step.



**Step #6:**

Using (1) One #12 x 3" Flat Head Phillips Screw per hole finish fastening the Back Bench Board to the bench ends.

Note: Be sure to tighten all screws completely after this step.



### Step #7:

Align the pre-drilled holes on the Arm to the piloted holes on the seat bench board & the back bench board. After the holes are properly aligned, fasten with (1) One 1/4" Flat Washer and 1/4" x 3" Hex Head Lag Bolt per hole to fasten.