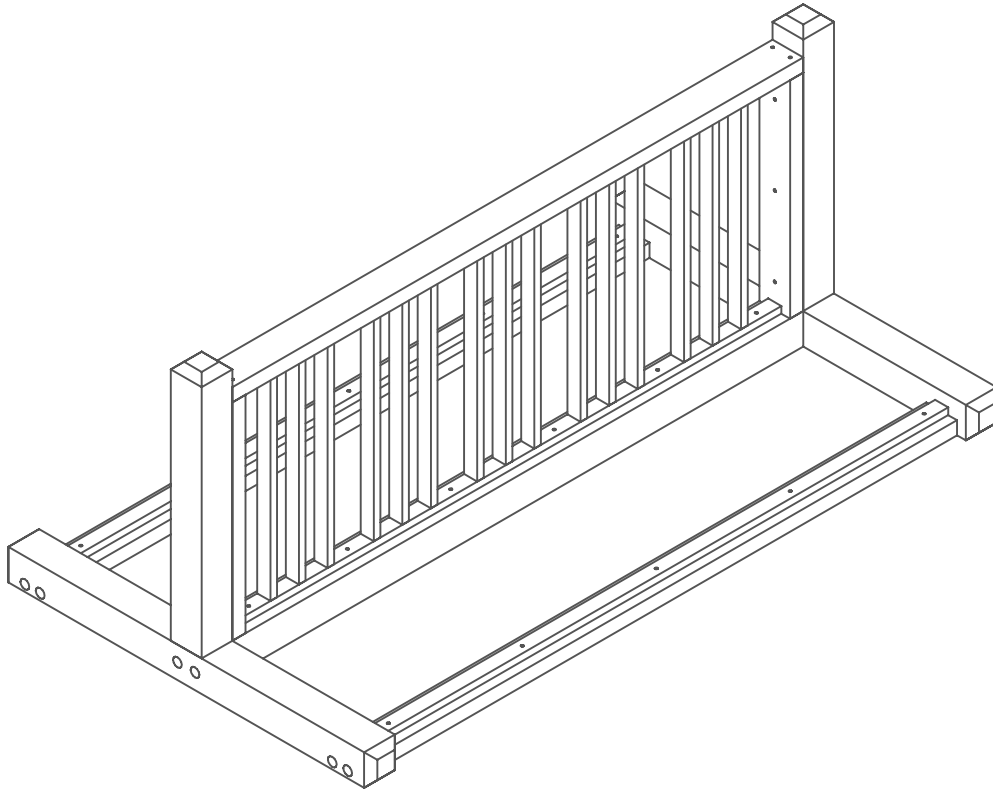


Bike Rack

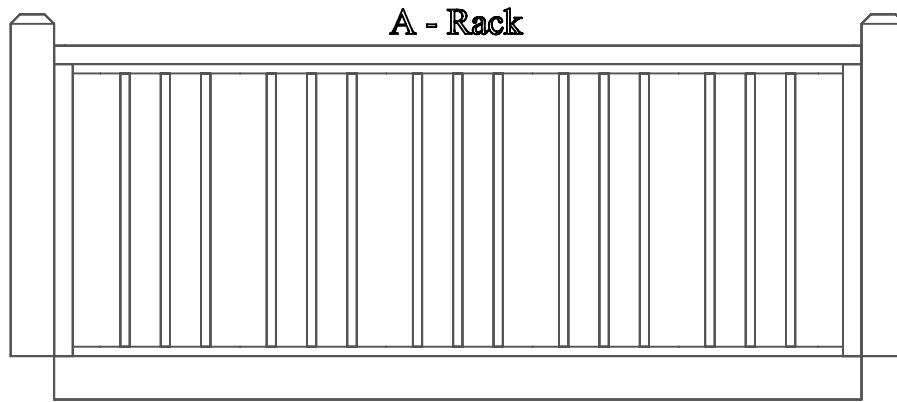
For Fastener Pack
(FP-BR10-CU-01A)



Congratulations !!

You have just purchased the finest recycled plastic
bike rack available. Enjoy !!!

Before assembly, please make sure all components are included.



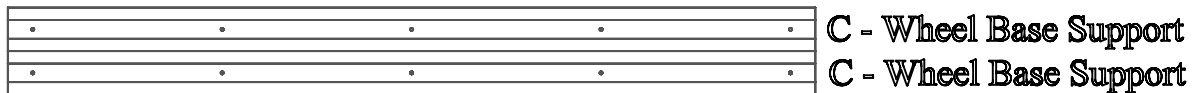
(1) - One Rack
BRSA-BR10-A-01



FP - Fastener Pack



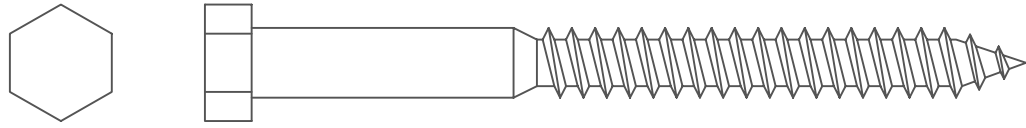
(2) - Two Base Post
BRP-BR-B-01



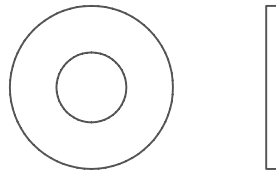
(2) - Two Wheel Base Support
BRSA-BR10-C-01

Before assembly, please make sure all fasteners are included.

16 - 3/8" x 4" Hex Head Lag Bolt

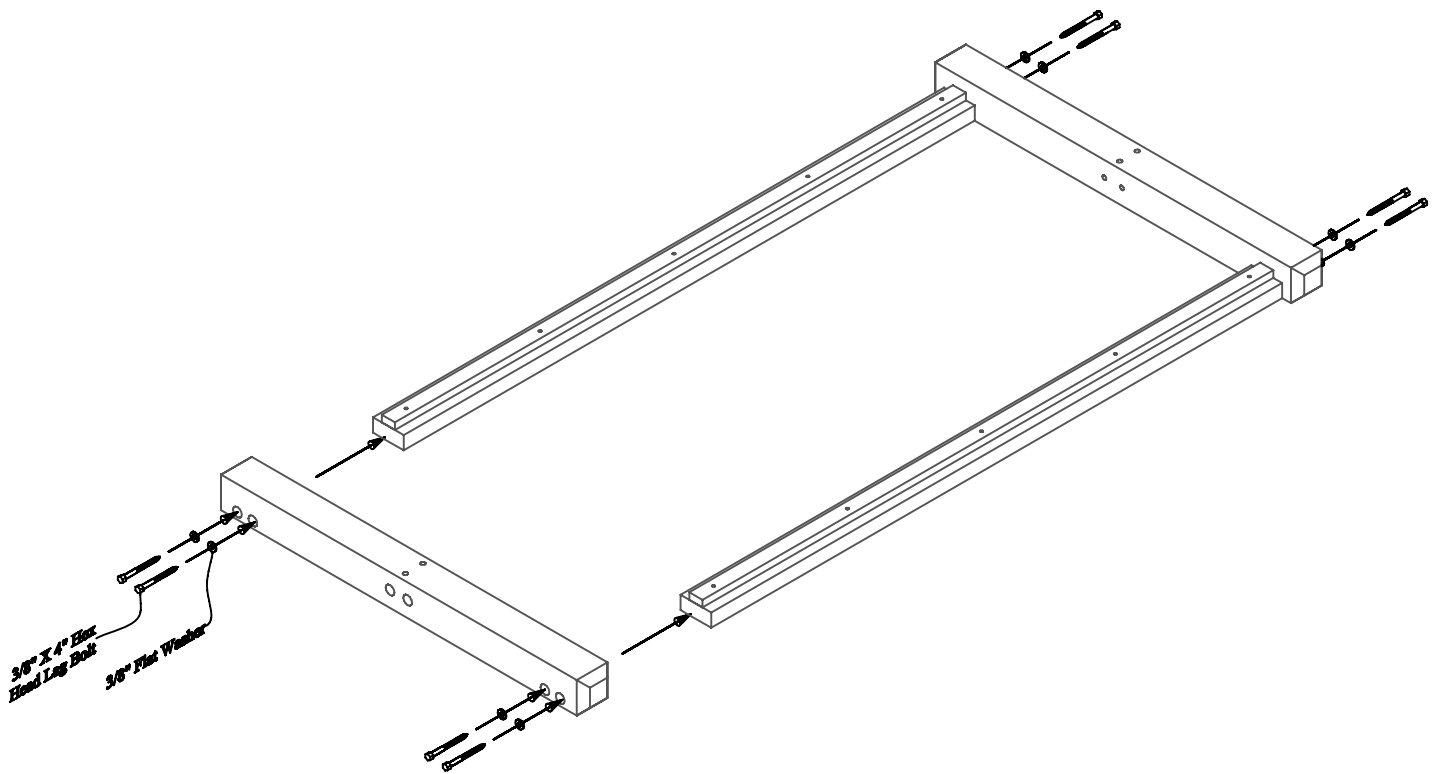


16 - 3/8" Flat Washer



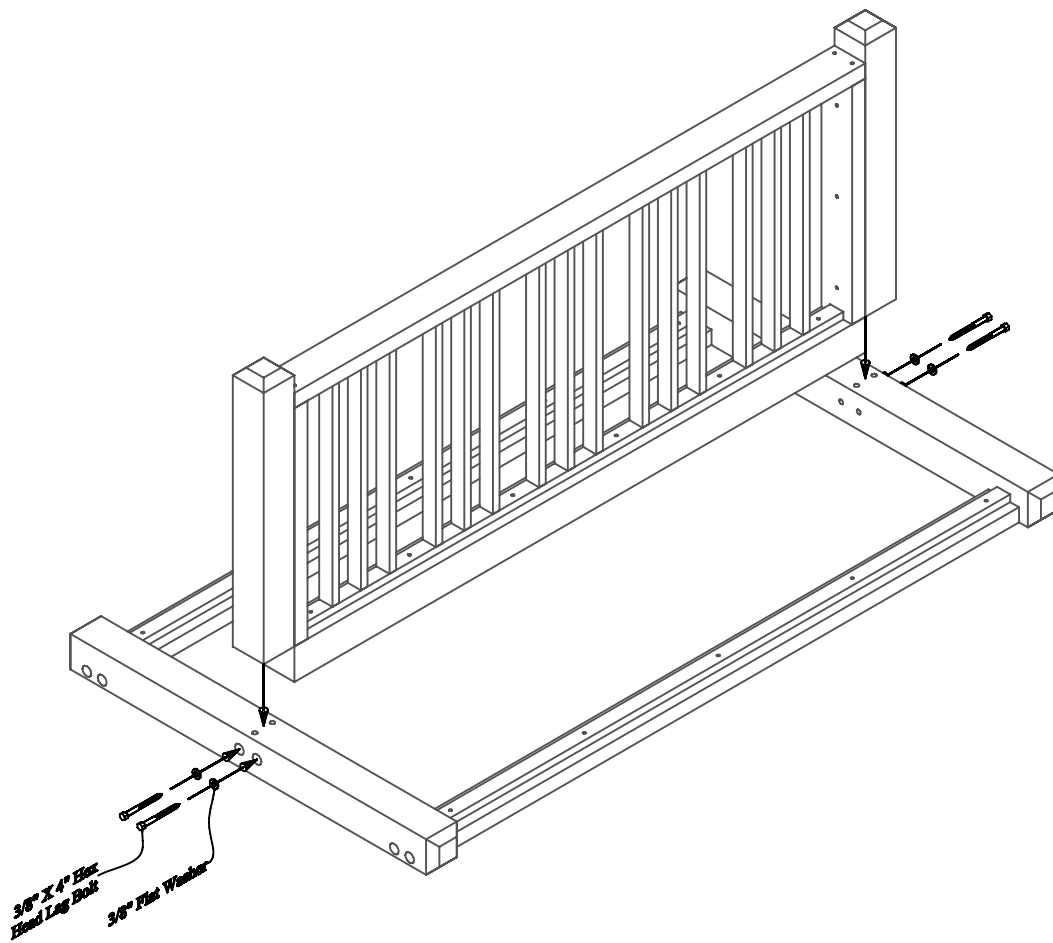
Also needed for this assembly will be the following materials:

1 - 9/16" Socket Wrench



Step #1:

Fasten (2) Two Base Posts to (2) Two Wheel Base Supports as shown above being sure to line up the pre-drilled holes to the pilot holes. Use (1) One 3/8" x 4" Hex Head Lag Bolt and (1) One 3/8" Flat Washer per hole to secure.

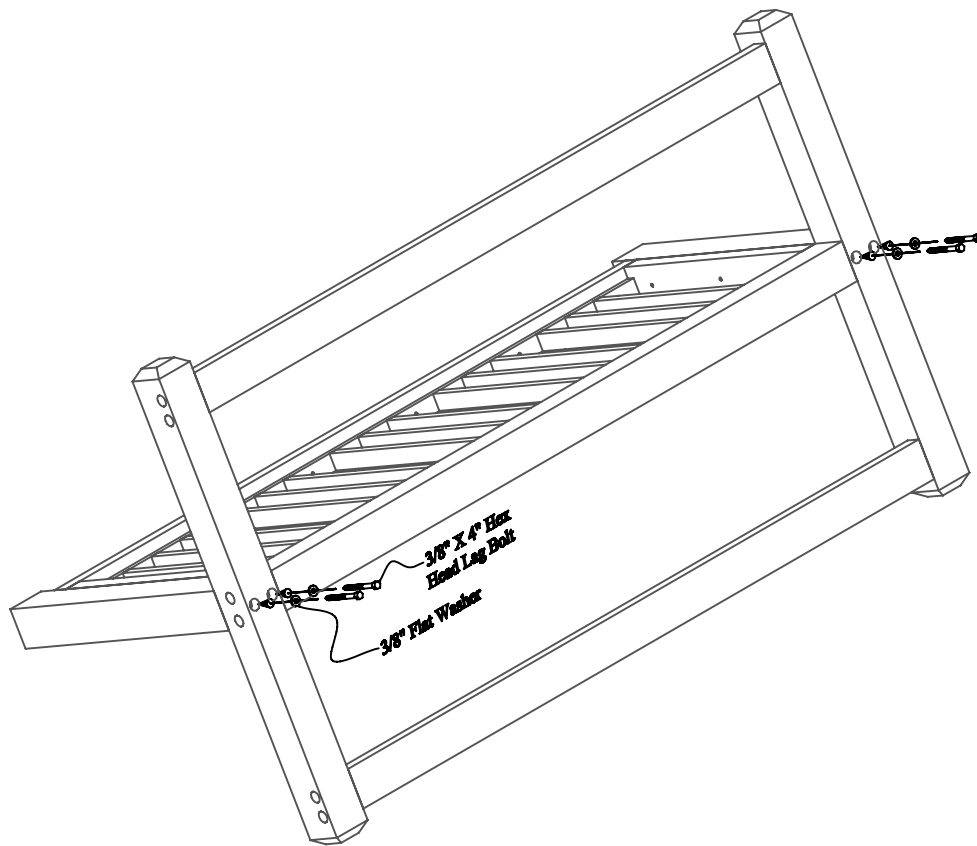


Step #2:

Fasten the Rack to the Base Posts being sure to line up the pre-drilled holes to the pilot holes on the side. Use (1) One 3/8" x 4" Hex Head Lag Bolt and (1) One 3/8" Flat Washer per hole to secure.

Step #3:

Flip the bike rack on to its side as shown in diagram. Please use caution as the bike rack weighs approximately 150 pounds.



Step #4:

Fasten the bottom of the Base Posts to the Rack as shown in the diagram above. Use (1) One 3/8\" x 4\" Hex Head Lag Bolt and (1) One 3/8\" Flat Washer per hole to secure.

DEAR VALUED CUSTOMER,

THANK YOU FOR PURCHASING THIS PRODUCT. THIS PRODUCT IS MANUFACTURED USING RECYCLED MATERIALS AND MAY HAVE SLIGHT COLOR VARIATIONS, OCCASIONAL SPECKS OF COLOR OR IRREGULAR SURFACE PATTERNS. THESE ARE NORMAL CONDITIONS OF RECYCLED PLASTICS AND MAKE EACH PIECE OF FURNITURE UNIQUE. THESE CHARACTERISTICS DO NOT AFFECT THE STRENGTH, QUALITY OR PERFORMANCE OF THE PRODUCT.

THANK YOU AGAIN FOR PURCHASING THIS PRODUCT AND HELPING OUR ENVIRONMENT.