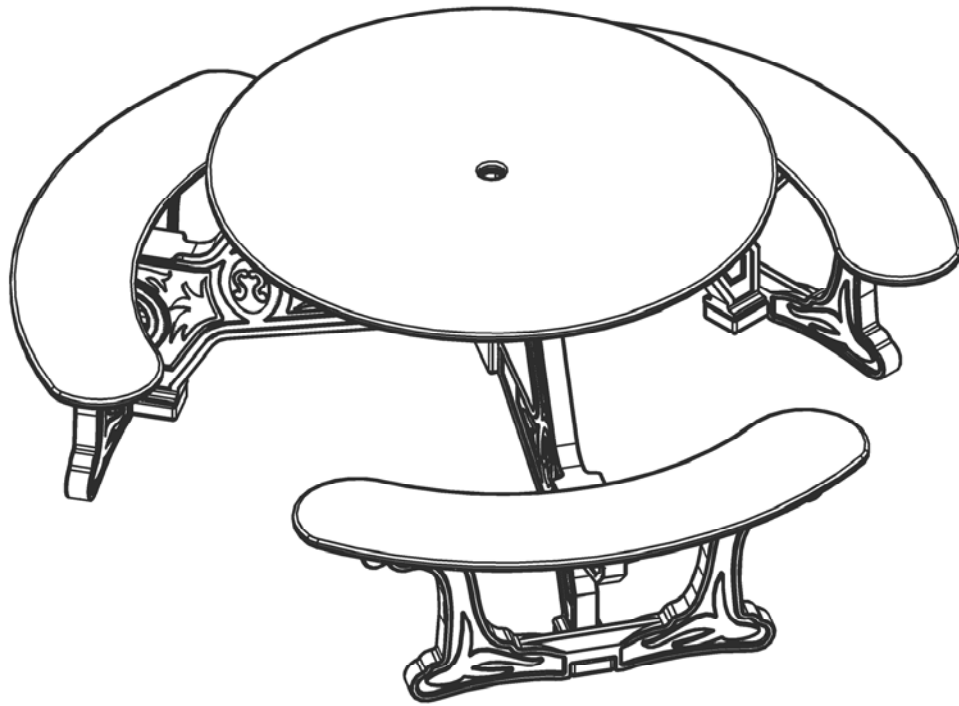


# Bodega Picnic Table

For Fastener Pack  
(FP-BOT-CU-01)

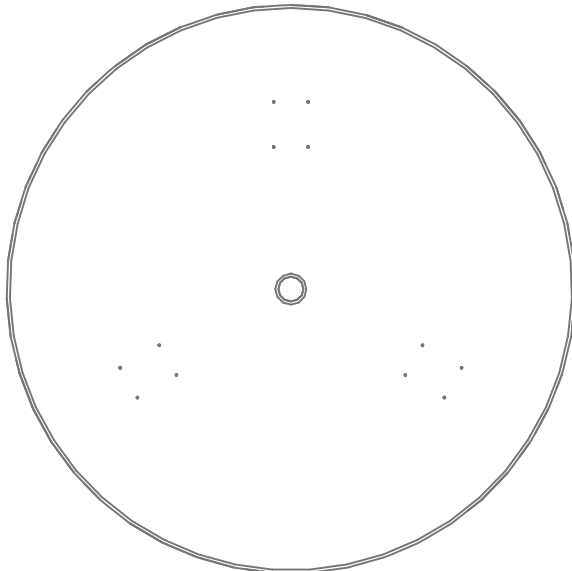


Congratulations !!

You have just purchased the finest recycled plastic picnic table available. Enjoy !!!

Before assembly, please make sure all components are included.

**J - Table Top**

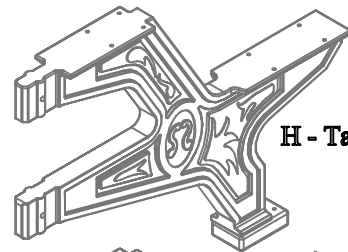


**(1) - One Table Top  
GSP-BOT-A-01**

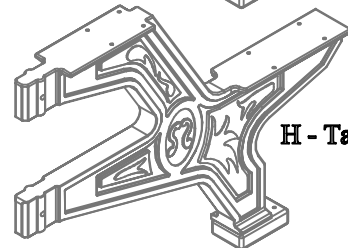


**(1) - One Fastener Pack  
FP-BOT-CU-01**

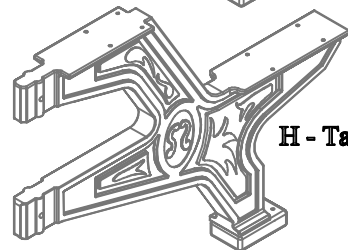
**FP - Fastener Pack**



**H - Table Leg**

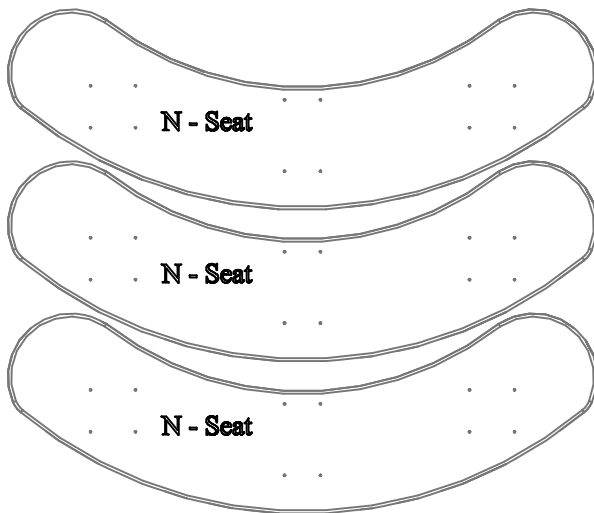


**H - Table Leg**



**H - Table Leg**

**(3) - Three Table Legs  
GSSA-PZ-C-01**

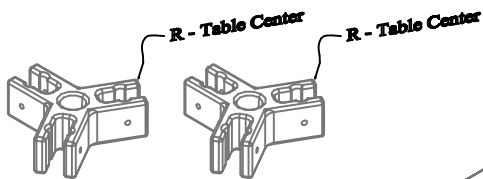


**N - Seat**

**N - Seat**

**N - Seat**

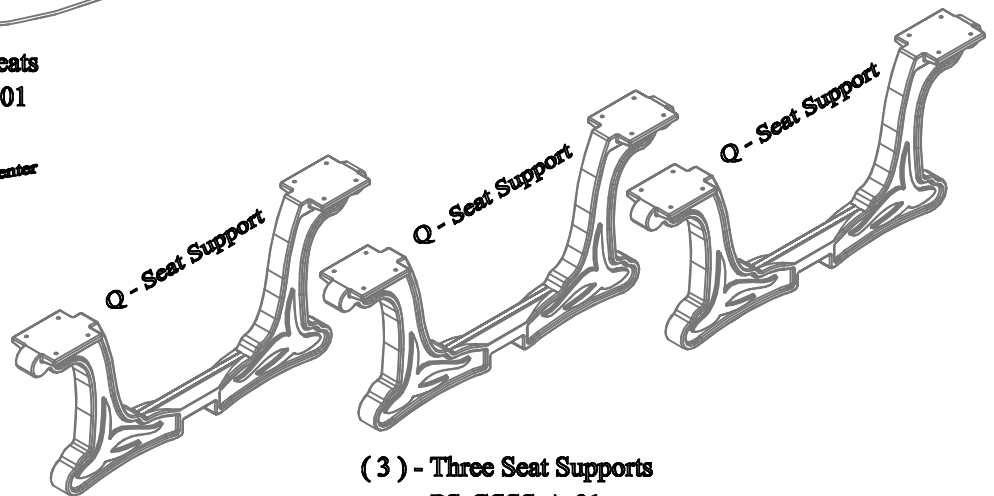
**(3) - Three Seats  
GSP-BOT-B-01**



**R - Table Center**

**R - Table Center**

**(2) - Two Table Centers  
PS-GSCP-A-01**



**Q - Seat Support**

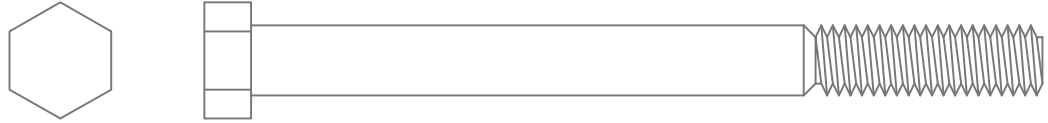
**Q - Seat Support**

**Q - Seat Support**

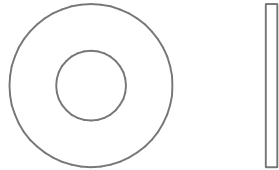
**(3) - Three Seat Supports  
PS-GSSS-A-01**

Before assembly, please make sure all fasteners are included.

6 - 3/8" x 4 1/4" Hex Head Bolt



12 - 3/8" Flat Washer



6 - 3/8" Nylon Lock Nut



6 - #12 x 3" Flat Head Phillips Screw



24 - #12 x 1-1/4" Flat Head Phillips Screw



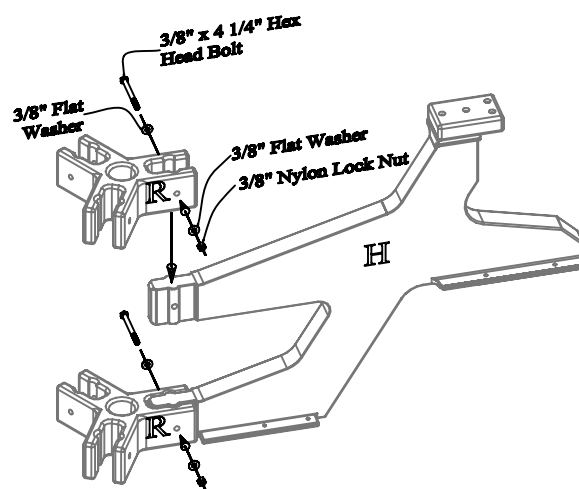
24 - #12 x 1" Pan Head Phillips Screw



Also needed for this assembly will be the following materials:

1 - #3 Phillips Drive Bit

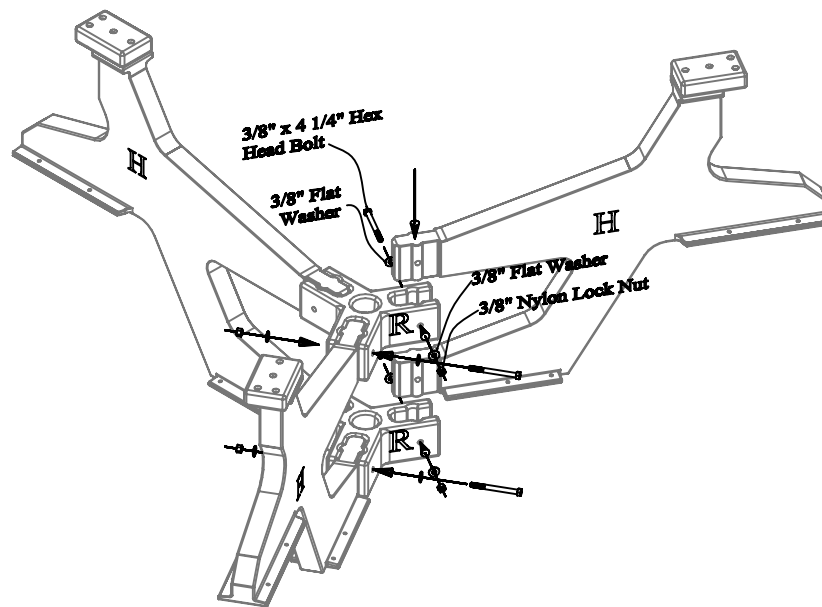
2 - 9/16" Socket Wrench



### Step #1:

Slide ( 1 ) One Table Center on to each end of the Table Leg as shown above. Use ( 1 ) One 3/8" x 4 1/4" Hex Head Bolt and ( 1 ) One 3/8" Flat Washer along with ( 1 ) One 3/8" Flat Washer and ( 1 ) One 3/8" Nylon Lock Nut per hole to secure.

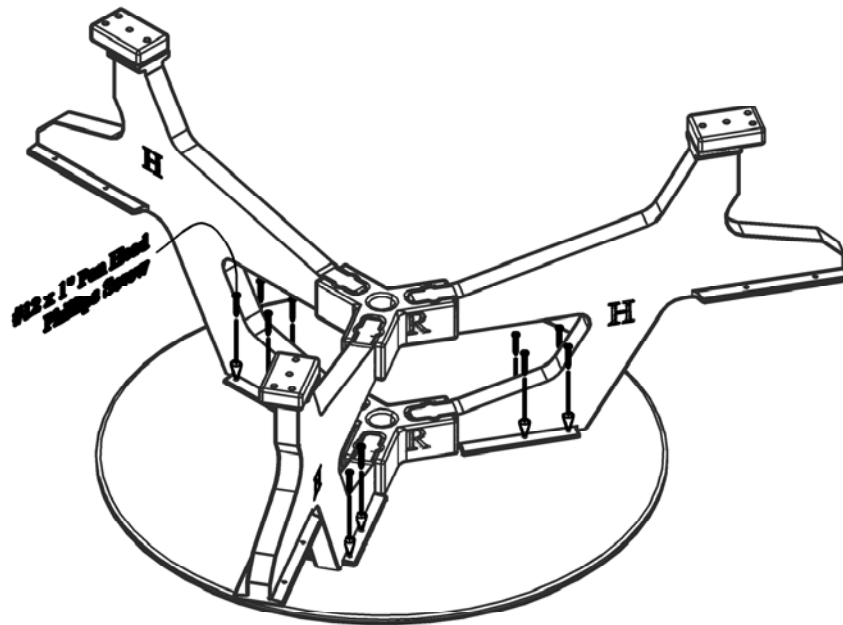
Do not tighten bolts completely. This will be done in a later step.



## Step #2:

Slide the remaining Table Legs in to the Table Centers. Use ( 1 ) One 3/8" x 4 1/4" Hex Head Bolt and ( 1 ) One 3/8" Flat Washer along with ( 1 ) One 3/8" Flat Washer and ( 1 ) One 3/8" Nylon Lock Nut per hole to secure.

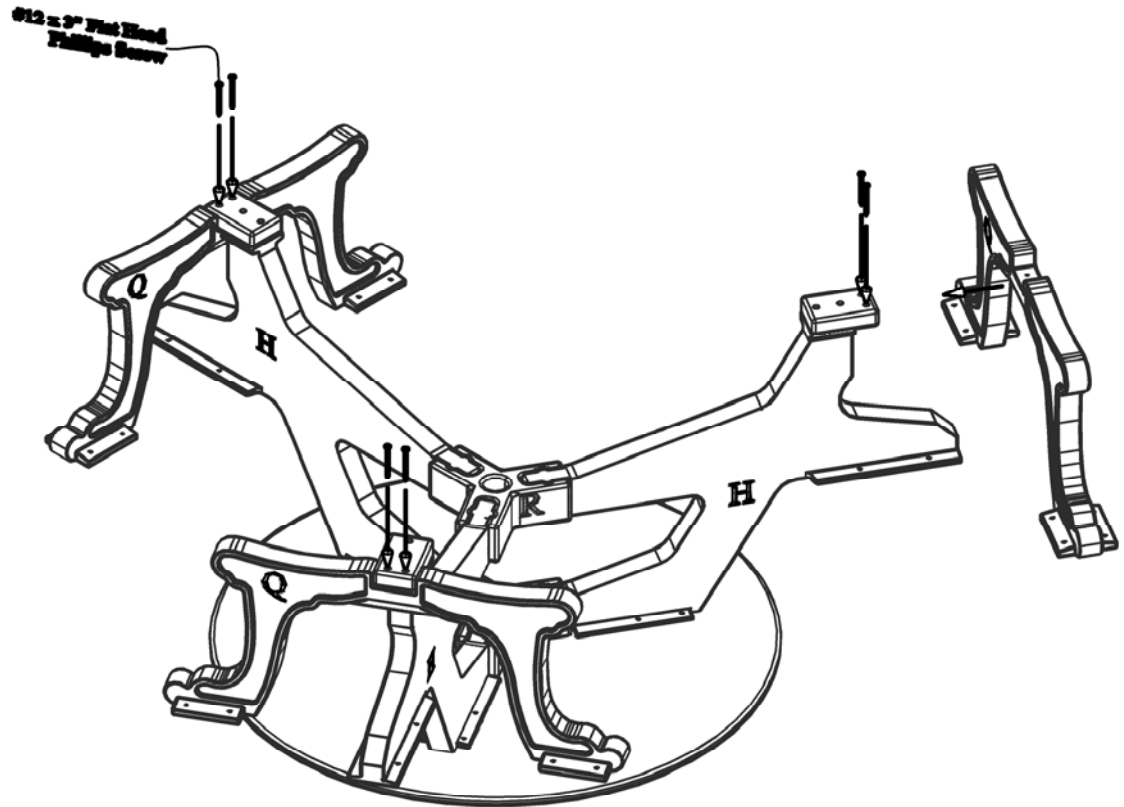
Do not tighten bolts completely. This will be done in a later step.



**Step #3:**

While the Table Top is upside down, place the leg assembly onto the Table Top as shown above. Align the pre-drilled holes in the Table Legs with the pilot holes in the Table Top. Use ( 1 ) One #12 x 1" Pan Head Screw per hole to secure.

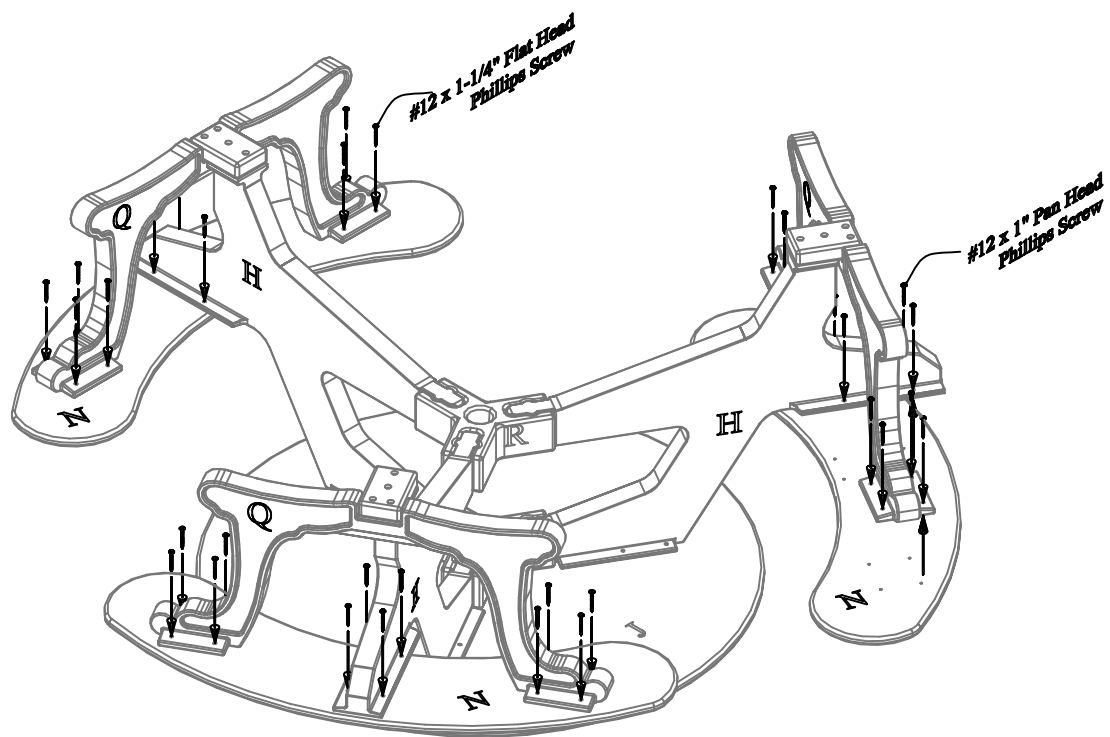
Be sure to tighten all screws after completing this step.



**Step #4:**

While the table is upside down, align the pre-drilled holes in the Table Leg to the pilot holes in the Seat Support as shown above. Use ( 1 ) One #12 x 3" Flat Head Screw per hole to secure.

Do not tighten screws completely. This will be done in a later step.

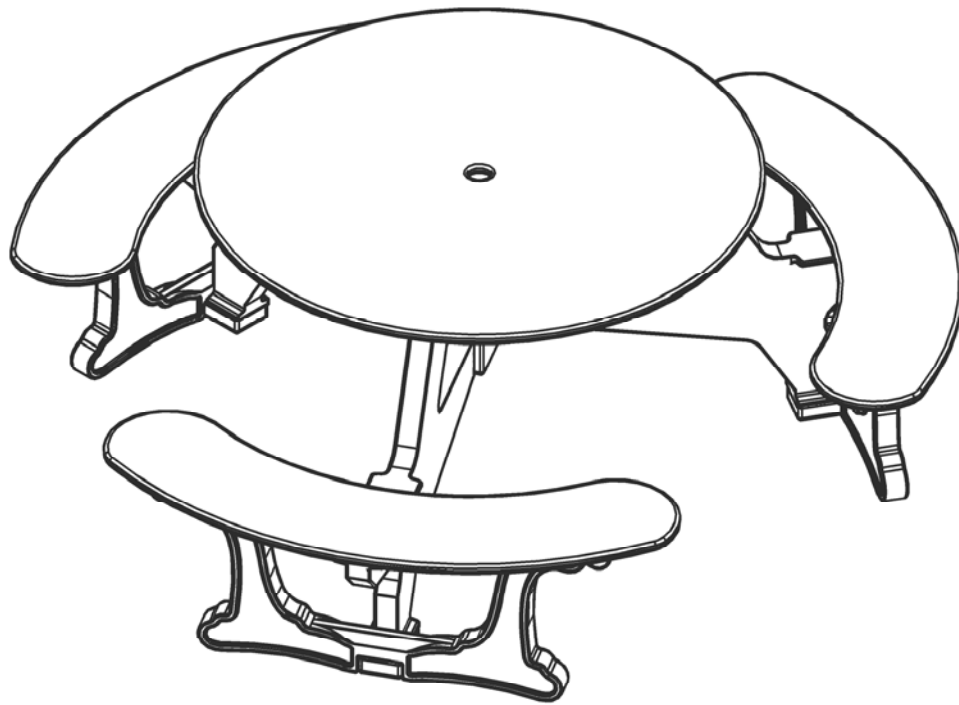


### Step #5:

While the table is upside down, align the pre-drilled holes in the Seat to the pilot holes in the Seat Support and the Table Leg as shown above. Use ( 1 ) One #12 x 1" Pan Head Screw per hole to secure the seat to the leg. Use ( 1 ) One #12 x 1-1/4" Flat Head Screw per hole to secure the seat to the seat support.

Be sure to tighten all loose screws after completing this step.





**Step #6:**

**Turn the table over on to its legs, please use caution for the table weighs approximately 175 pounds.**