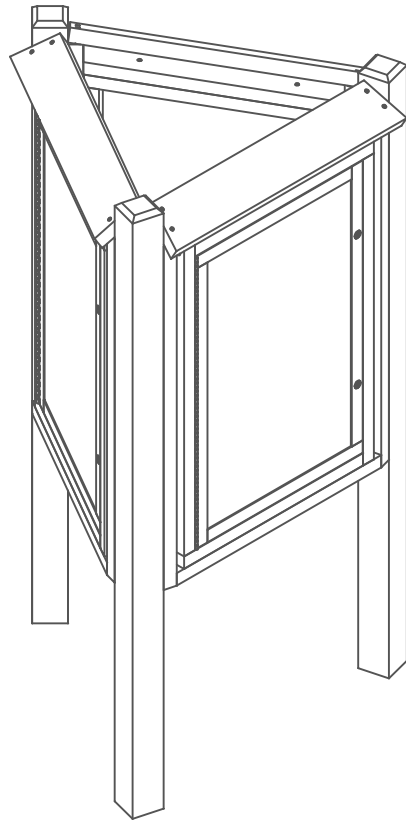


# Three Sided Kiosk Message Center

For Fastener Pack  
(FP-3KMC8-CU-04)

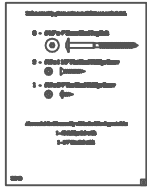


Congratulations !!

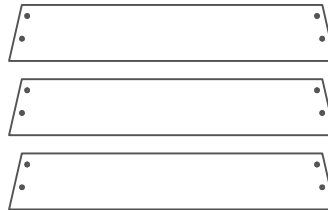
You have just purchased the finest recycled plastic  
message center available. Enjoy !!!

FS-3KMC8-CAP-04

Before assembly, please make sure all components are included.

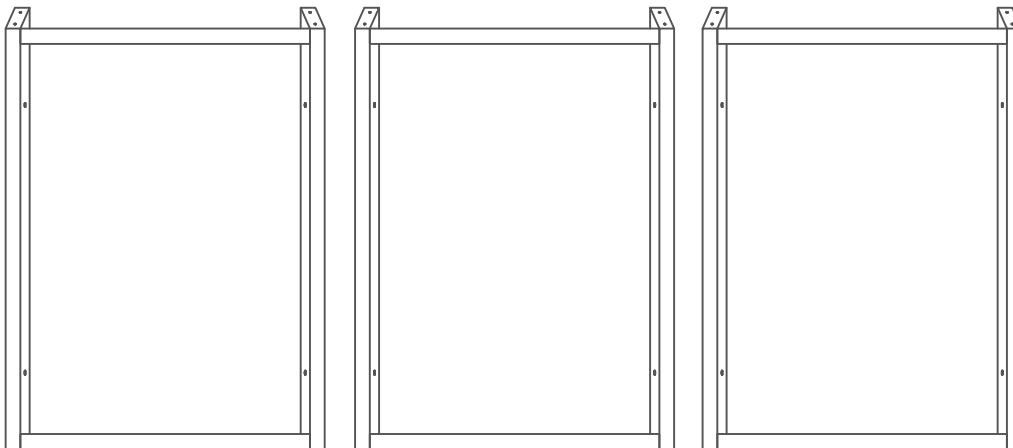


( 1 ) - One Fastener Pack  
FP-3KMC8-CU-04

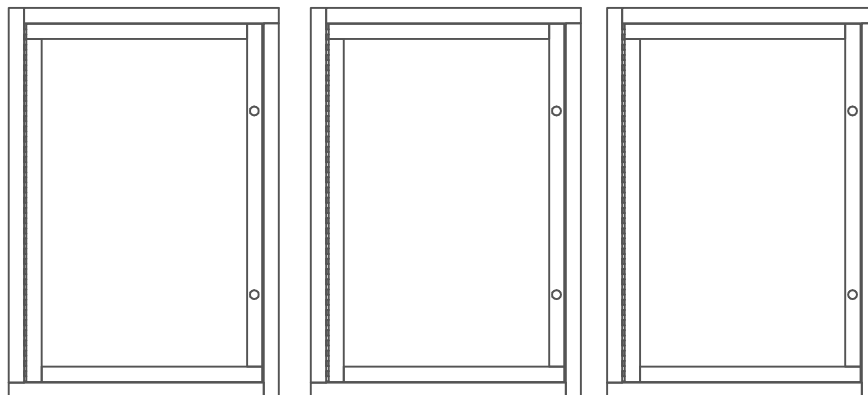


( 3 ) - Three - Message Center Roof  
MP-3KMC-R-02

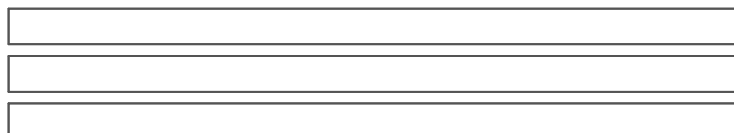
FP - Fastener Pack



( 3 ) - Three - Message Center Frame  
MCSA-3KMC-F-03



( 3 ) - Three - Message Center  
MCSA-3KMC-M-04



( 3 ) - Three - Post  
MP-3KMC-P8-02

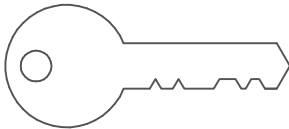
FS-3KMC8-CAP-04

Before assembly, please make sure all fasteners are included.

36 - #12 x 2 1/2" Flat Head Phillips Screw



6 - Set of 2 Keys

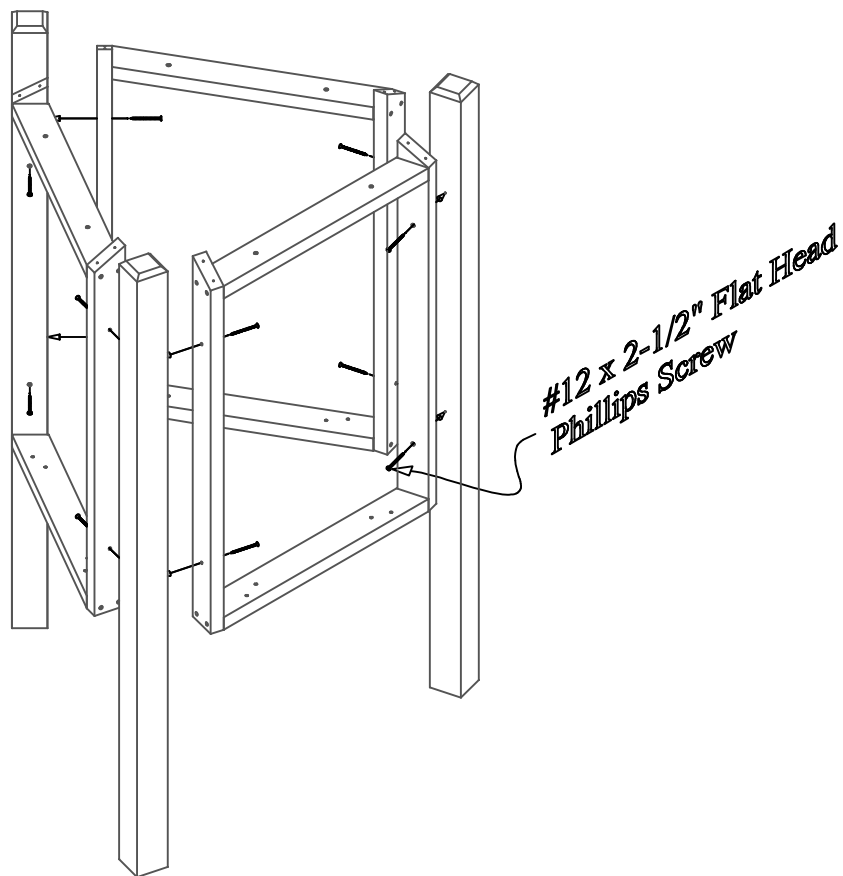


Also needed for this assembly will be the following materials:

1 - #3 Phillips Drive Bit

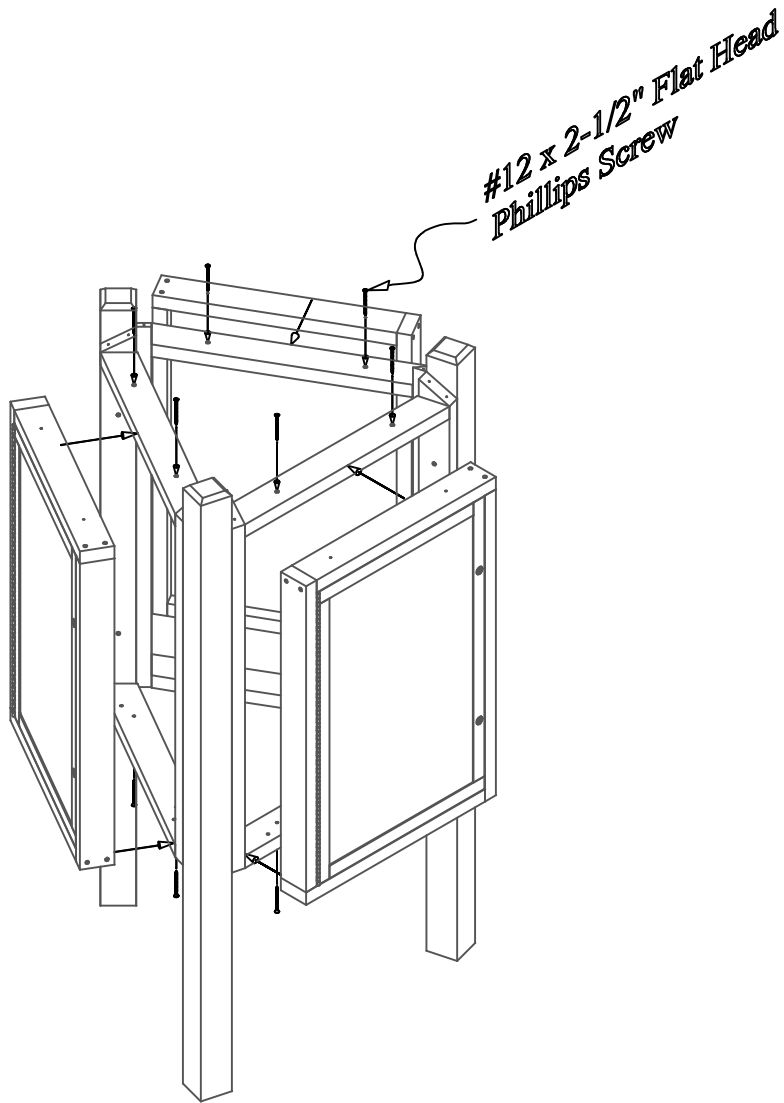
**\*\*\*DO NOT OVER-TIGHTEN SCREWS.\*\*\***

Plastic expands and contracts with changes in temperature, and over-tightening will result in cracked boards over time.



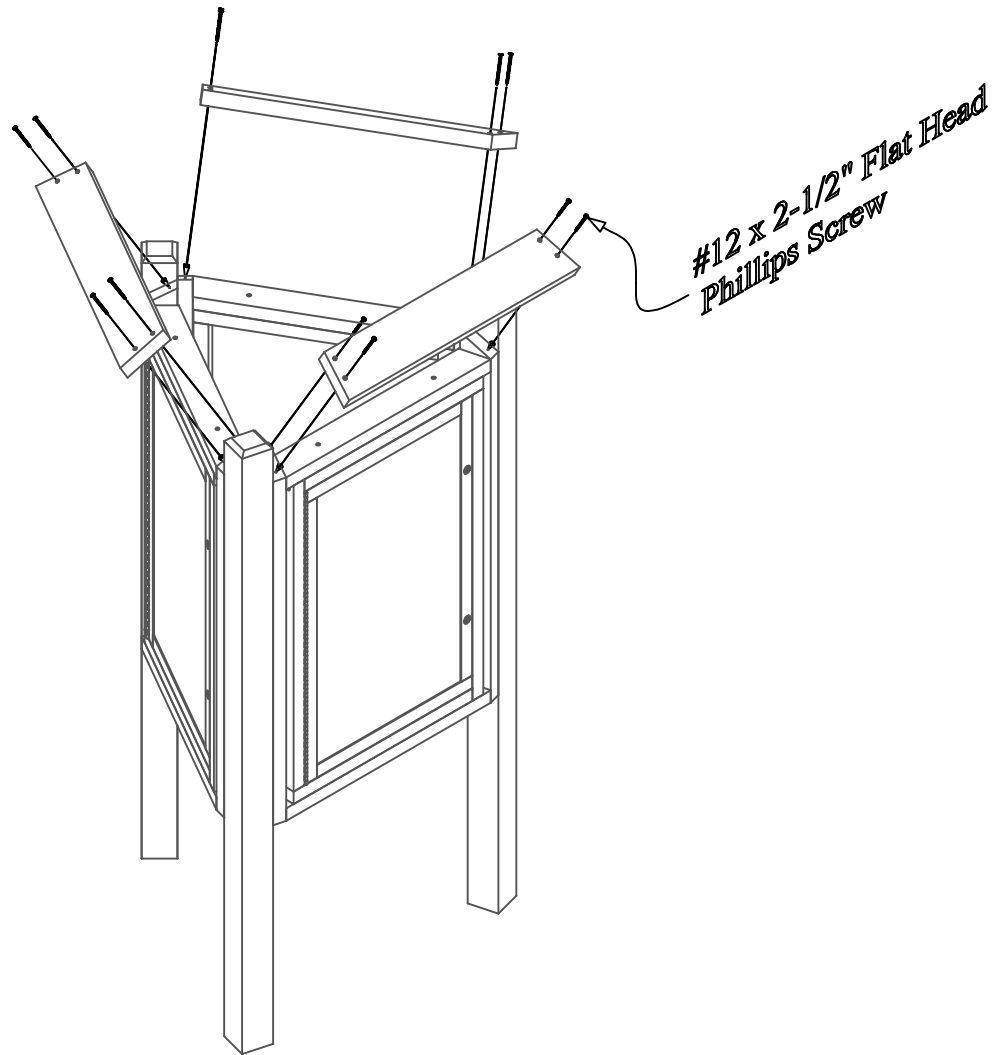
### Step #1:

Align the pilot holes in the Posts with the pre drilled holes on the message center frame and fasten them together with (1) - one #12 x 2-1/2" Flat Head Screw per aligned hole.



## Step #2:

Align the pilot holes in the message center with the pre drilled holes on the message center frame and fasten them together with (1) - one #12 x 2-1/2" Flat Head Screw per aligned hole.



### Step #3:

Align the pre drilled holes in the Roof with the pilot holes on the assembled Message center and fasten them together with (1) - one #12 x 2-1/2" Flat Head Screw per aligned hole.

DEAR VALUED CUSTOMER,

THANK YOU FOR PURCHASING THIS PRODUCT. THIS PRODUCT IS MANUFACTURED USING RECYCLED MATERIALS AND MAY HAVE SLIGHT COLOR VARIATIONS, OCCASIONAL SPECKS OF COLOR OR IRREGULAR SURFACE PATTERNS. THESE ARE NORMAL CONDITIONS OF RECYCLED PLASTICS AND MAKE EACH PIECE OF FURNITURE UNIQUE. THESE CHARACTERISTICS DO NOT AFFECT THE STRENGTH, QUALITY OR PERFORMANCE OF THE PRODUCT.

THANK YOU AGAIN FOR PURCHASING THIS PRODUCT AND HELPING OUR ENVIRONMENT.